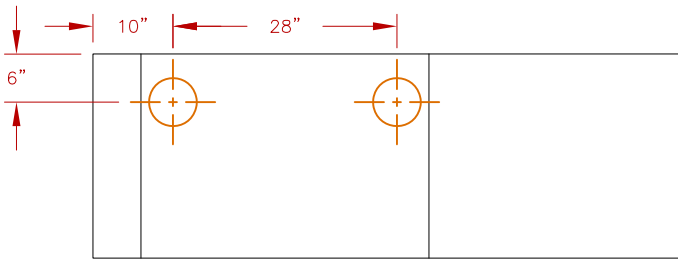
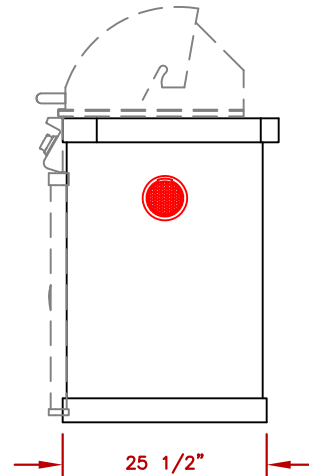
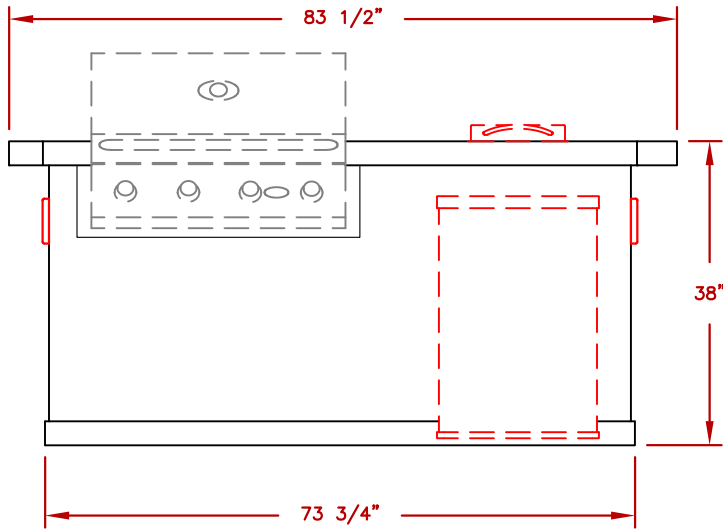
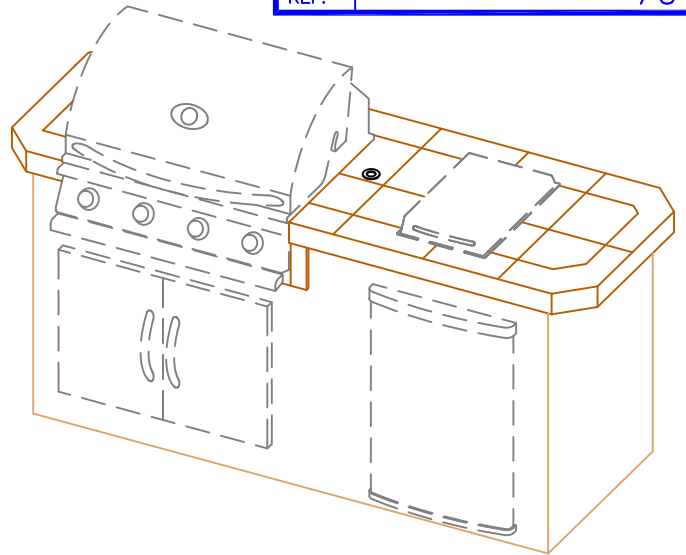
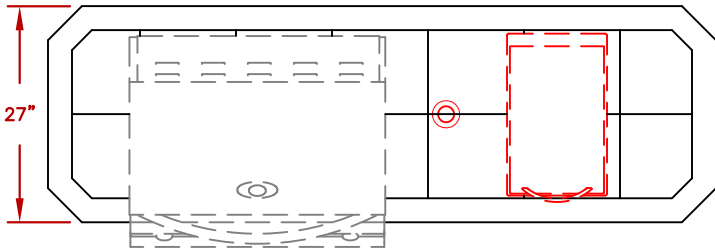



LINE	BBQ ESCAPE LINE
MODEL	PACIFICA Q
REF.	701



STUB UP

STANDARD FEATURES		
QTY.	SYMB.	DESCRIPTION
-	(A)	PORCELAIN TILE 12 X 24 (FIELD) (BORDER)
-	(B)	STUCCO (TROWEL FINISH)
1	(E)	4 BURNER G4 LP
1	(G)	27" ACCESS DOOR

OPTIONS		
SYMB.	DESCRIPTION	OPT#
OPT1	UNDERCOUNTER LIGHTS	OPTQ820L
OPT2	FREEDOM SOUND SYSTEM BLUETOOTH, POWERED SUBWOOFER AND 2X SPEAKERS	OPTQ23-FS23
OPT3	UMBRELLA HOLE ONLY	OPTQ23-837

	TITLE	
	2025 BARBECUE LINE ESCAPE SERIES PACIFICA Q 701	
SCALE:	DWG NO.	DWG BY
		M ORTEGA
REVISED	REV. DESCR.	DATE
		1/1/2026

NOTE:
DUE TO OUR CONTINUOUS IMPROVEMENT PROGRAM, ALL MODELS
AND SPECIFICATIONS ARE SUBJECT TO CHANGE WITHOUT NOTICE.