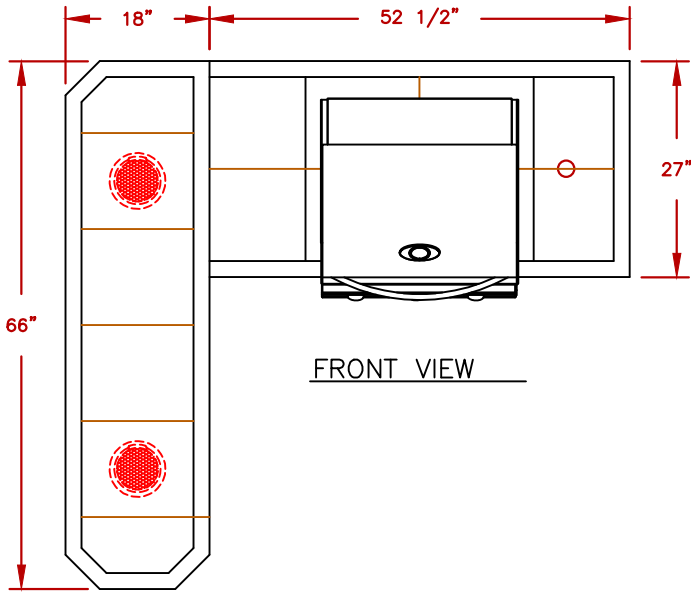
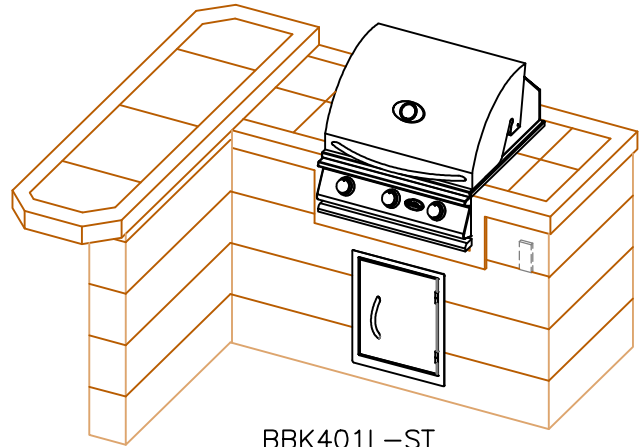


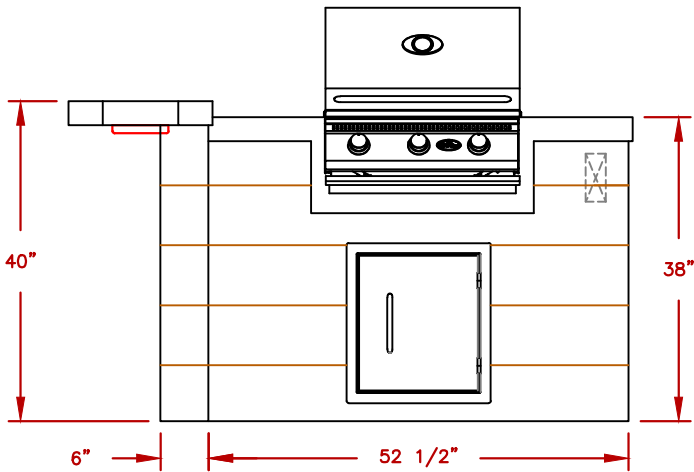
LINE	BBQ PATIO SERIES
MODEL	BBK401(L)(R)
REF.	MAUI Q



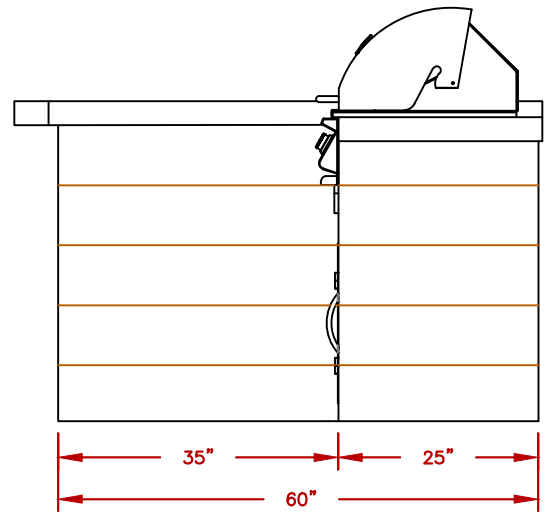
FRONT VIEW



BBK401L-ST



FRONT VIEW



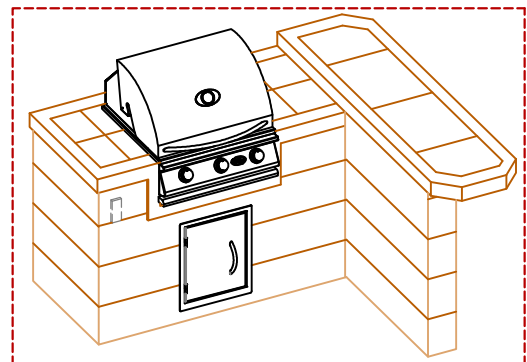
SIDE VIEW

### STANDARD FEATURES

QTY.	SYMB.	DESCRIPTION
-	(A)	PORCELAIN TILE 12 X 24 (FIELD) (BORDER)
-	(B)	ELITE CABINET SIDING
1	(C)	3 BURNER G3 LP
1	(E)	18" VERTICAL ACCESS DOOR


### OPTIONS

SYMB.	DESCRIPTION	OPT#
OPT1	UNDERCOUNTER LIGHTS	OPTQ820L
OPT2	FREEDOM SOUND SYSTEM BLUETOOTH, POWERED SUBWOOFER AND 2X SPEAKERS	OPTQ23-FS23
OPT3	UMBRELLA HOLE ONLY	OPTQ23-837



BBK401R

NOTE:  
DUE TO OUR CONTINUOUS IMPROVEMENT PROGRAM, ALL MODELS  
AND SPECIFICATIONS ARE SUBJECT TO CHANGE WITHOUT NOTICE.

	TITLE	
	2024 BARBECUE LINE BBK PATIO SERIES BBK401(L)(R) MAUI Q	
SCALE:	DWG NO.	DWG BY
		M ORTEGA
REVISED	REV. DESCR.	DATE
		12/20/2023