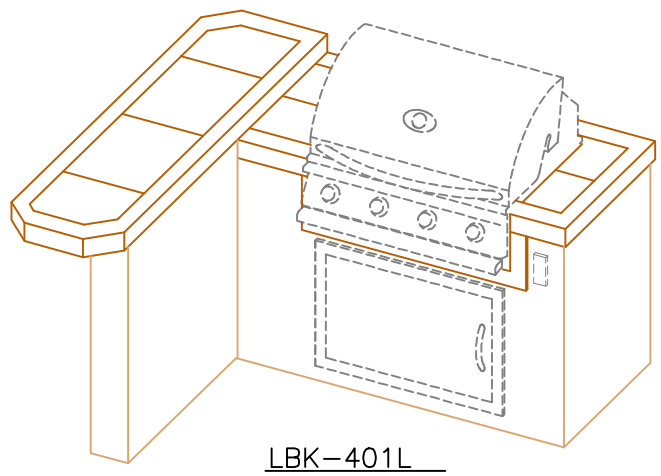
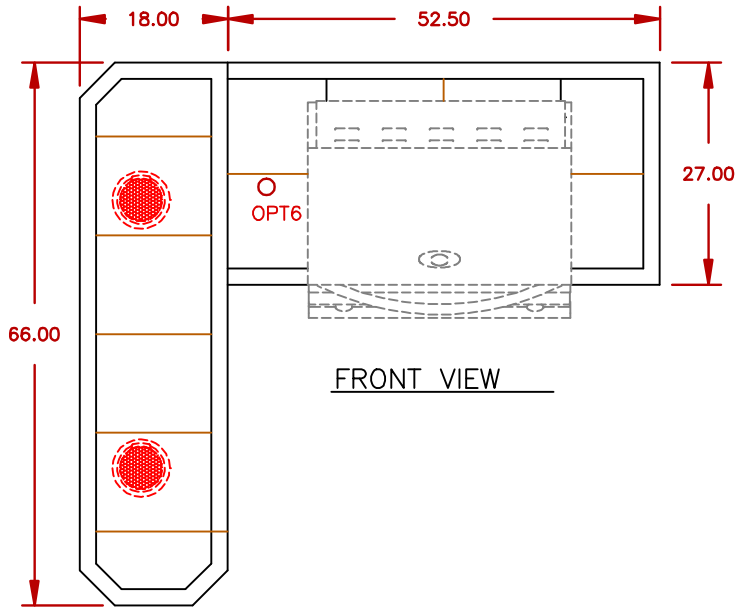
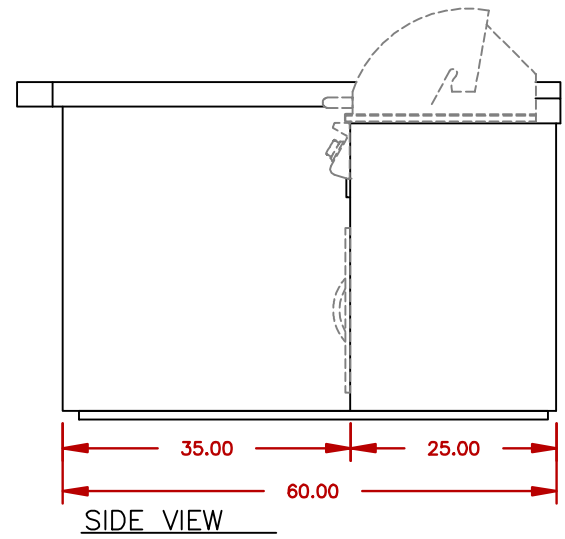
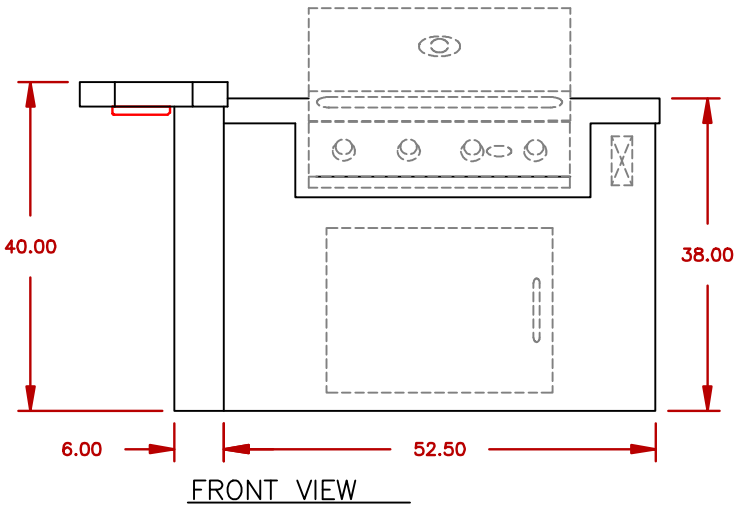


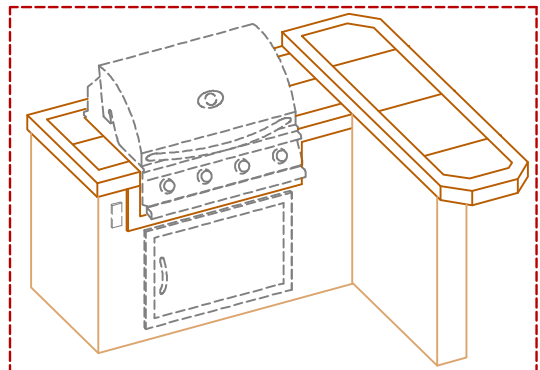
LINE	BBQ LINE
MODEL	LBK401
REF.	



LBK-401L



STANDARD FEATURES		
QTY.	SYMB.	DESCRIPTION
-	(A)	PORCELAIN TILE 12 X 12 (FIELD) (BORDER)
-	(B)	AMERISTONE STUCCO
1	(C)	4 BURNER P4 LP
1	(D)	OUTDOOR ELECTRICAL
1	(E)	27" ACCESS DOOR



LBK-401R

OPTIONS		
SYMB.	DESCRIPTION	OPT#
OPT1	NATURAL STONE TILE 12X12	SEE COLOR CHART
OPT2	CULTURE STONE	SEE COLOR CHART
OPT3	LED LIGHTING	OPTQ830A
OPT4	UNDERCOUNTER LIGHTS	OPTQ820L
OPT5	iPOD STATION W/ [2] SPEAKERS	OPTQ107
OPT6	UMBRELLA HOLE ONLY	OPTQ837

NOTE: DUE TO OUR CONTINUOUS IMPROVEMENT PROGRAM, ALL MODELS AND SPECIFICATIONS ARE SUBJECT TO CHANGE WITHOUT NOTICE.

	TITLE 2020 BARBECUE LINE LBK SERIES LBK401	
	SCALE:	DWG NO.
REVISED	REV. DESCR.	DWG BY J.ORNELAS
		DATE 7/19/19