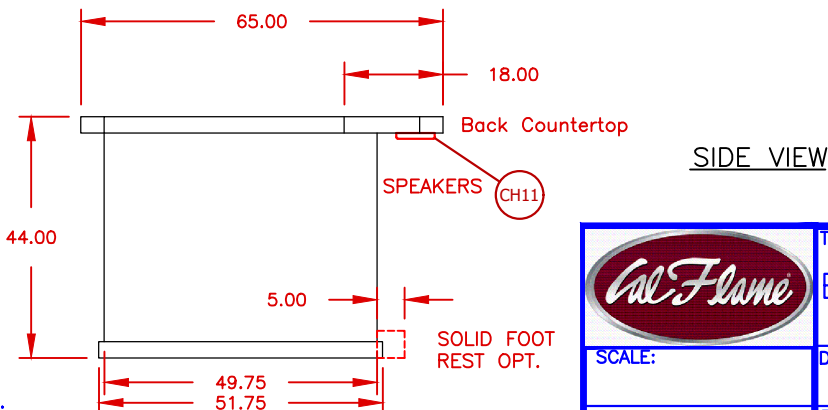
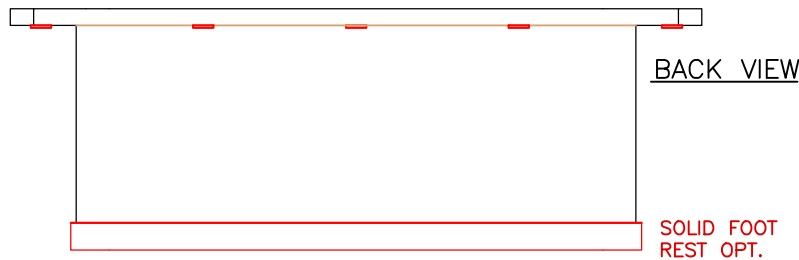
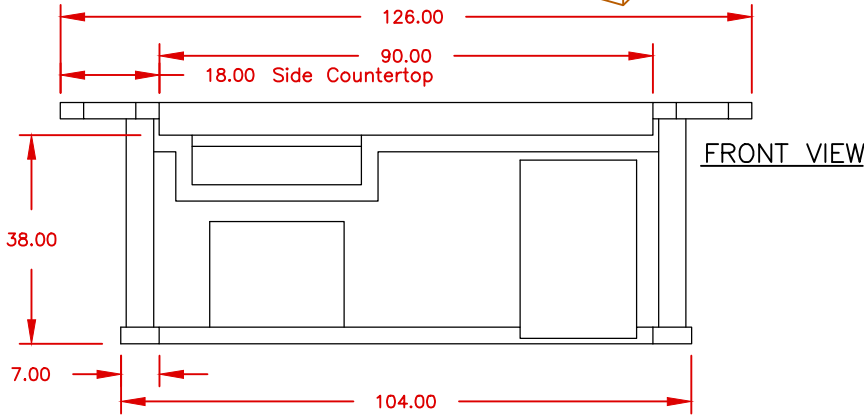
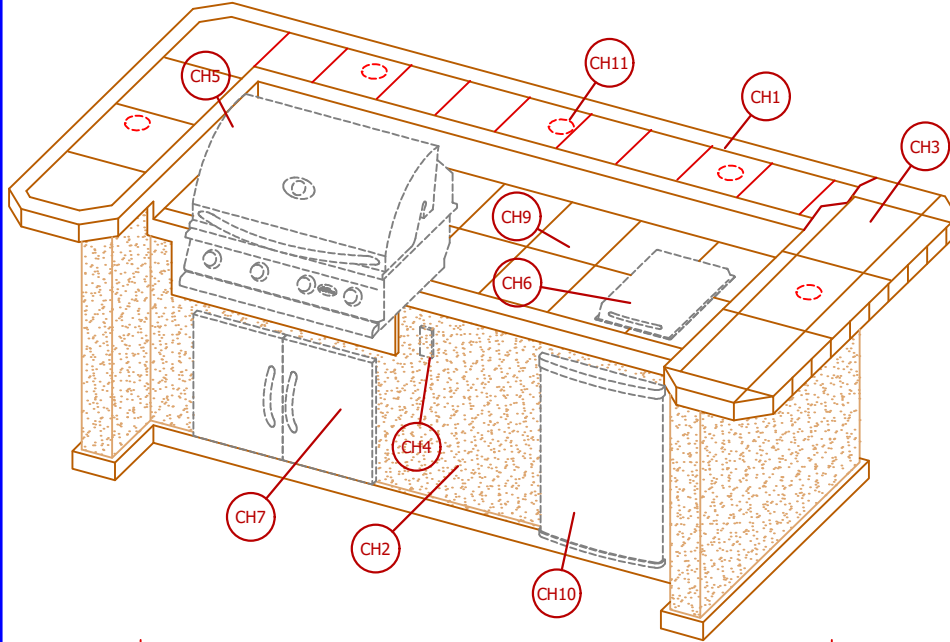


# Option Placement May Vary

SEE NOTES BELOW FOR MORE INFORMATION

LINE	BBQ PLATINUM LINE
MODEL	PV7000
REF.	LA JOLLA Q



## COMPATIBLE CONFIGURATION TABLE

SYMB.	DESCRIPTION	
CH1	TOP COLORS CHOICES	
CH2	BASE COLOR CHOICES	
CH3	BASE ACCESSORY CHOICES	
CH4	ELECTRICAL	
CH5	GRILLS CHOICES [A1] G-CHARCOAL [A2] 4 BURNER G4, P4, CONV. [A3] 5 BURNER P4, CONV. TOP GUN	-5 BURNER GRILL NOT COMPATIBLE WITH ITEMS: E4 -5 BURNER + REFRIGERATOR NOT COMPATIBLE WITH ITEMS E5-E6
CH6	SIDE BURNERS CHOICES: [B1] DELUXE DOUBLE SIDE BY SIDE [B2] STAD. SIDE BY SIDE [B3] DELUXE DOUBLE [B4] STANDARD	
CH7	DOOR & DRAWERS CHOICES: [C1] 27 ACCESS DOOR [C2] 18 SINGLE ACCESS DOOR [C3] 30 DOOR & DRAWER COMBO [C4] COMPLETE UTILITY STORAGE [C5] PAPER TOWEL STORAGE [C6] 2 DRAWER STORAGE [C7] 3 DRAWER STORAGE [C8] 3 DRAWER WIDE [C9] PROPANE TANK DRAWER [C10] 2 IN 1 OVEN (110V) ELECTRIC PIZZA 7 WARM.	-30 DOUBLE DOOR AND REFRIGERATOR NOT COMPATIBLE WITH ITEM: C4
CH8	ACCESSORIES: GRILLS [D1] BOTTLE OPENER	
CH9	ACCESSORIES: DROP INS [E1] 12 DROP IN FOOD WARMER [E2] 12 COCKTAIL CENTER [E3] 18 COCKTAIL CENTER [E4] 30 DROP IN BAR [E5] HIBACHI DROP IN GRILL [E6] POWER BURNER [E7] STAINLESS STEEL SINK W FAUCET	
CH10	REFRIGERATORS & OVENS [F1] STAINLESS STEEL REFRIG. [F2] BEER TAP REFRIG. [F3] OUTDOOR S.S. REFRIG. [F4] OUTDOOR S.S. ICE MAKER [F5] OUTDOOR S.S. BEVARE COOLER	ANY REFRIGERATOR NOT COMPATIBLE WITH ITEMS: B1-B3-E1-E4-E5-E6
CH11	LIGHT & SOUNDS: [G1] LED LIGHTING [G2] UNDERCOUNTER LIGHTS [G4] UMBRELLA HOLE	
CH14	FREEDOM SOUND SYSTEM	

## STANDARD FEATURES

QTY.	SYMB.	DESCRIPTION
-	(A)	PORCELAIN TILE 12 X 24 (FIELD) (BORDER)
-	(B)	AMERISTONE STUCCO
-	(C)	3" BOTTOM TRIM (TILE ONLY)
1	(D)	4 BURNER P4 LP
1	(E)	STD. SIDE BURNER BURNER LP
1	(F)	INTERIOR ELECTRICAL
1	(G)	30" DOUBLE ACCESS DOOR
1	(H)	SST REFRIGERATOR

NOTE: DUE TO OUR CONTINUOUS IMPROVEMENT PROGRAM, ALL MODELS AND SPECIFICATIONS ARE SUBJECT TO CHANGE WITHOUT NOTICE.



TITLE  
2024 BARBECUE LINE  
BBQ PAVILION PLATINUM SERIES  
PV7000 LA JOLLA Q

SCALE:

DWG NO.

DWG BY

M ORTEGA

REVISED

REV. DESCR.

DATE

12/20/2023