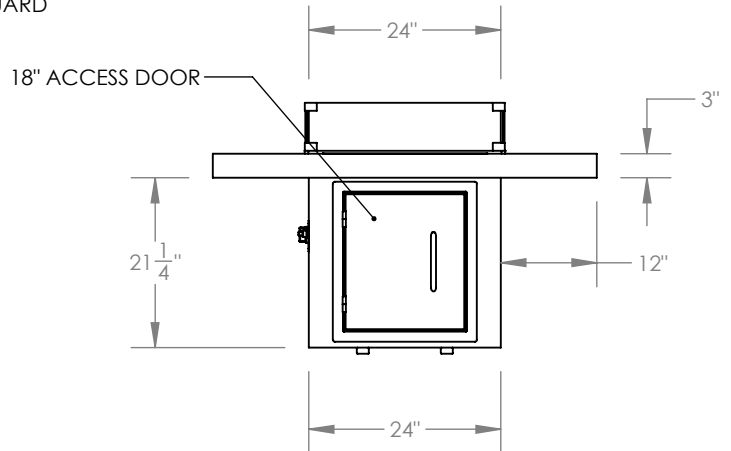
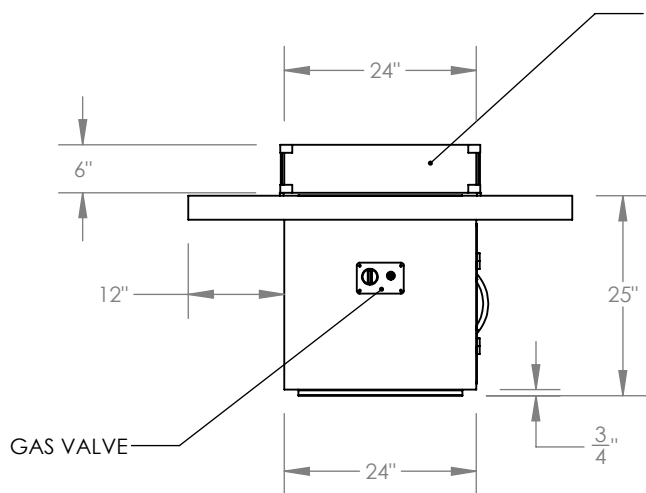



20" SQ w/ROUND BURNER 90,000BTU



STANDARD FEATURES		
QTY.	SYMB.	DESCRIPTION
-	A	STUCCO
-	B	TILE TOP AND BOARDER
1	C	20" SQ w/ROUND BURNER 90,000 BTU
-	D	10 LBS BLACK LAVA ROCKS
-	E	LP GAS NG CONVERTIBLE
1	F	18" ACCESS DOOR
1	G	GAS VALVE w/ELECTRONIC IGNITION

OPTIONS		
SYMB.	DESCRIPTION	OPT#
OPT1	24"X24"X6" TEMPERED GLASS WIND GUARD	OPTQ###
OPT2	10 LBS 1/2" TEMPERED REFLECTIVE FIRE PIT GLASS	OPTQ###

 CAL FLAME 88Q INC. 1462 EAST NINTH STREET, POMONA, CA 91766	UNLESS OTHERWISE SPECIFIED: DIMENSIONS ARE IN INCHES TOLERANCES: FRACTIONAL: ±1/2" ANGULAR: ±2° TWO PLACE DECIMAL: ±.05 THREE PLACE DECIMAL: ±.015	LINE	CAL FLAME	
	THIRD ANGLE PROJECTION	SERIES	FIRE PIT	
	INTERPRET GEOMETRIC TOLERANCING PER: ASME Y 14.5	NUM	FPT-S301M	
	DO NOT SCALE DRAWING	SIZE <b>A</b>	DWG NO.	REV <b>A</b>
PROPRIETARY AND CONFIDENTIAL THE INFORMATION CONTAINED IN THIS DRAWING IS THE SOLE PROPERTY OF CAL FLAME. ANY REPRODUCTION IN PART OR AS A WHOLE WITHOUT THE WRITTEN PERMISSION OF CAL FLAME IS PROHIBITED.		SCALE: 1:24	SHEET 1 OF 1	