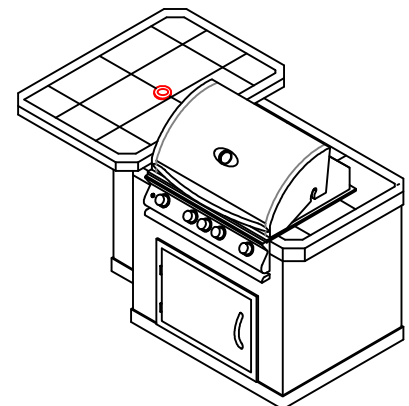
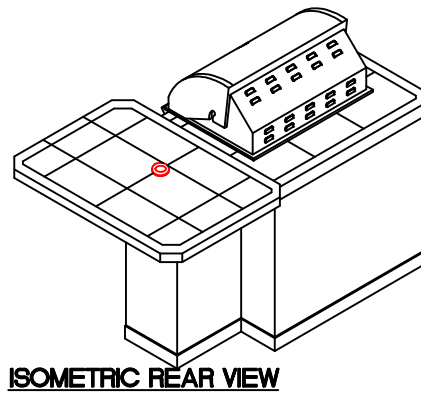
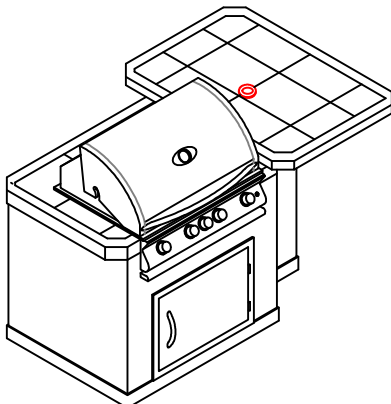
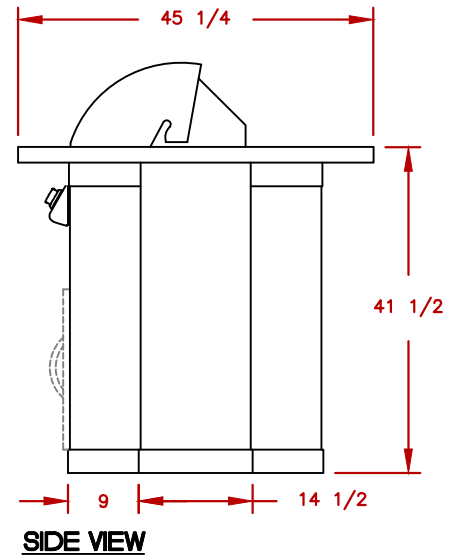
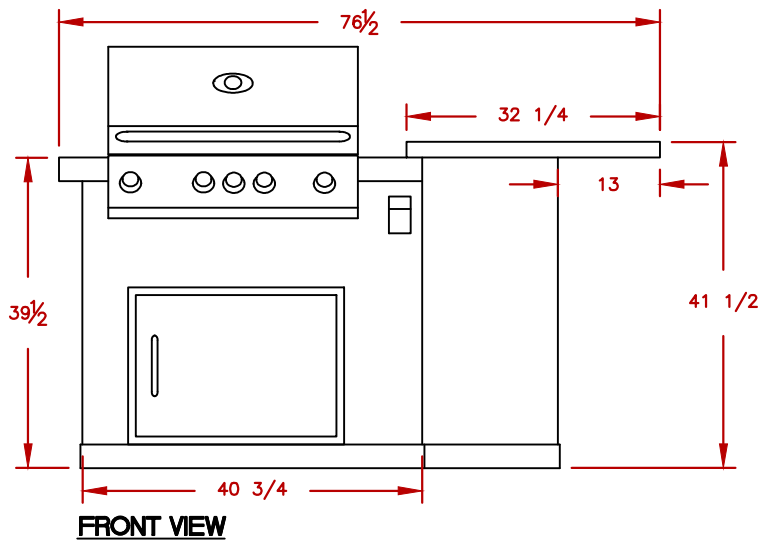
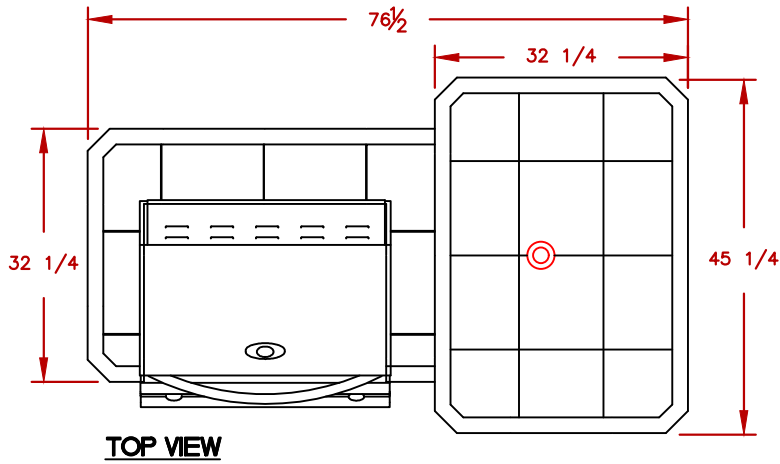



LINE	BBQ LINE
MODEL	BBK402
REF.	



STANDARD FEATURES		
QTY.	SYMB.	DESCRIPTION
-	(A)	PORCELAIN TILE 12 X 12 (FIELD) (BORDER)
-	(B)	AMERISTONE STUCCO
-	(C)	3" BOTTOM TRIM (TILE ONLY)
1	(D)	4 BURNER G4 LP
1	(G)	27" ACCESS DOOR
1	(U)	UMBRELLA HOLE

NOTE:
DUE TO OUR CONTINUOUS IMPROVEMENT PROGRAM, ALL MODELS
AND SPECIFICATIONS ARE SUBJECT TO CHANGE WITHOUT NOTICE.

	TITLE 2021 BARBECUE LINE BBK SERIES BBK402	
	SCALE:	DWG NO.
REVISED	REV. DESCR.	DWG BY M ORTEGA
		DATE 12/10/2020