



Pre-Delivery Guide

For G3400Z, S6002GZ and S6004GZ Barbecue Islands and 3 Burner Grill Cart

With a little preparation and care, your gas appliance will give you many years of enjoyment. This guide has been designed to provide you with all the information you'll need to ensure a safe and easy delivery and installation.

Most cities and counties require permits for exterior construction and electrical circuits. Check with your local code enforcement office for information or required permits prior to the delivery of your barbecue island or grill cart.

Planning the Best Location

Here are some of the things that you will need to consider when determining where to place your new gas appliance.

Safety First

Do not place your gas appliance near trees and shrubs. Be certain that your installation will meet all city and local safety codes and requirements.

Ventilation and Access

If you place your gas appliance close to a wall or fence, make sure you allow room for ventilation. Also, make sure storage area in your barbecue island can be conveniently accessed.

Enclosures and Awnings

Your gas appliance is for outdoor use ONLY.

You can locate your gas appliance any place where there is adequate ventilation. The size and configuration of your house and yard will determine how you should locate your gas appliance, but as a general rule, do not place it under or near windows that can be opened into your home.

Do not locate your gas appliance in an enclosed room such as a garage, shed, or breezeway or under a sealed overhead structure.

You can place your gas appliance on your patio as long as there is adequate ventilation and no fire risk. We do not recommend placing your gas appliance in any enclosed area, that is, any covered area that is walled on two, three or four sides.

You can install an awning over your gas appliance, provided you make sure it is high enough to prevent damage or fire. Maintain sufficient distance as to not overheat any overhead combustible material. We recommend you check with local inspectors and your homeowner's association.

Consider How You Will Use Your Gas Appliance

Your gas appliance is mainly used for family recreation. Be sure to leave plenty of room around it for activity.

Plan for Your Environment

If you live in a region where it snows in the winter or rains frequently, place your gas appliance near a house entry. Consider adding a covered walkway from your gas appliance to your house or patio.

Preparing a Good Foundation

Your gas appliance needs a solid and level foundation. Damage caused by inadequate or improper foundation support is not covered by the warranty. It is the responsibility of the owner to provide a proper foundation.

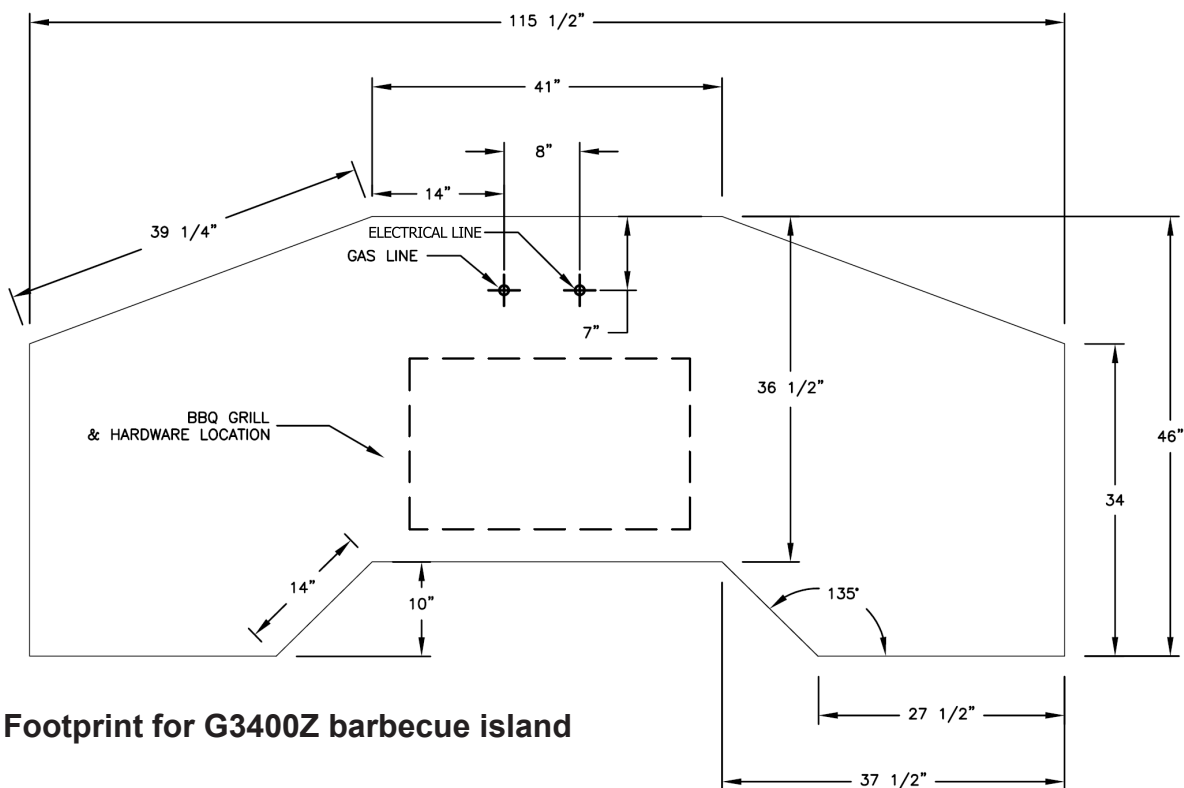
If you do not already have a location for your barbecue island, we recommend you have a concrete slab prepared to accommodate it. There are several advantages of having a permanent slab, including stability and levelness, and it eliminates sagging.

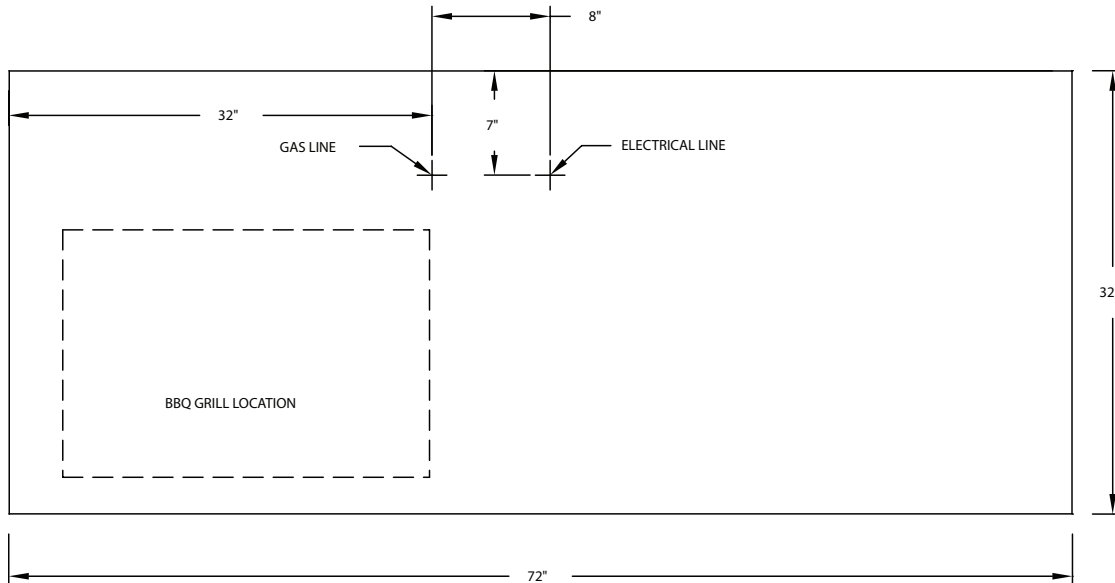
As you prepare your slab, this is the best time to run gas and electrical lines and locate stub-ups for your gas appliance to connect to. The size and shape of the base of the barbecue island is called a footprint.

The footprint drawing shows the actual dimensions of the base and suggested locations for your stub-ups. Footprints are shown below and on the next page.

Although a permanent slab is recommended, you can place your gas appliance on a prepared surface with bricks or pavers. We do not recommend you place it on gravel, sand, timbers, dirt or grass because these surfaces have the potential to become unstable or uneven. Your gas appliance should always be on a stable, flat, level surface.

You can put your gas appliance on a deck provided it is rated to support its full weight. We recommend you have a contractor or structural engineer examine your deck to determine whether it can bear the load of your gas appliance.





Footprint for S6002GZ and S6004GZ barbecue islands

Natural Gas Installation

We recommend you hire a contractor to install your natural gas service. Make sure you have all required permits and ensure the installation complies with state and local code.

The natural gas pipe from your house to the location of your barbecue island needs to be $\frac{3}{4}$ " and terminate with a shut-off valve with a $\frac{1}{2}$ " male fitting. Check with a contractor or your local inspector for requirements.

Electrical Requirements

We recommend you hire a contractor to install your electrical service. Make sure you have all required permits and the installation complies with state and local code.

When installed in the United States, the electrical wiring must meet the requirements of National Electric Code, ANSI/NFPA 70-2008 and any applicable state or local codes. The electrical circuit must be installed by an electrical contractor and approved by a local building / electrical inspector.

Supplying power to a barbecue island that is not in accordance with these instructions will void both the independent testing agency listing and the manufacturer's warranty.

The power supplied to the barbecue island must be on a dedicated circuit with no other appliances or lights sharing the power.

To determine the current, voltage, and wire size required for the island configuration to be connected, refer to the following:

- Wire size is determined by length of run from breaker box to the barbecue island and maximum current draw.
- We recommend copper wire with THHN insulation.
- All wiring must be copper to ensure adequate connections. Do not use aluminum wire.

- When NEC requires the use of wires larger than #6 (10mm²), install a junction box near the barbecue island and use #6 (10mm²) wire between the junction box and the barbecue island.

There will be a 110V power outlet inside the barbecue island. Using romex or similar

grounded, shielded wire, connect the outlet to the electrical service in the stub-up.

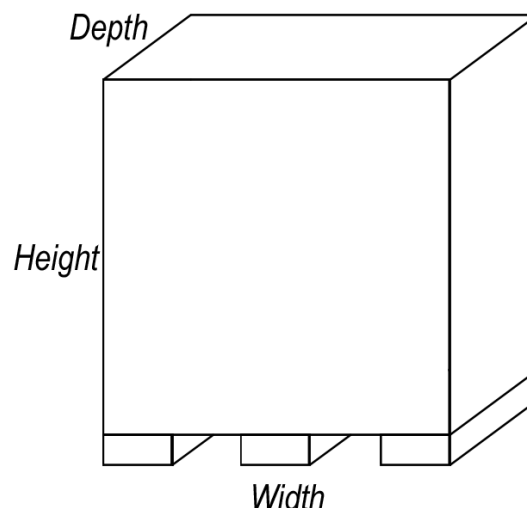
If the circuit breaker trips while the barbecue island is in use, reset it. If it does not reset, contact a licensed electrician for service. **DO NOT USE THE BARBECUE ISLAND!**

Getting Your New Barbecue Island Into Your Yard

Crate Dimensions

During delivery, the crate must remain on the delivery cart at all times. Compare the dimensions shown below to the width of the gates, sidewalks, and doorways along the delivery route. It may be necessary for you to remove a gate or partially remove a fence in order to provide an unobstructed passageway to the installation location.

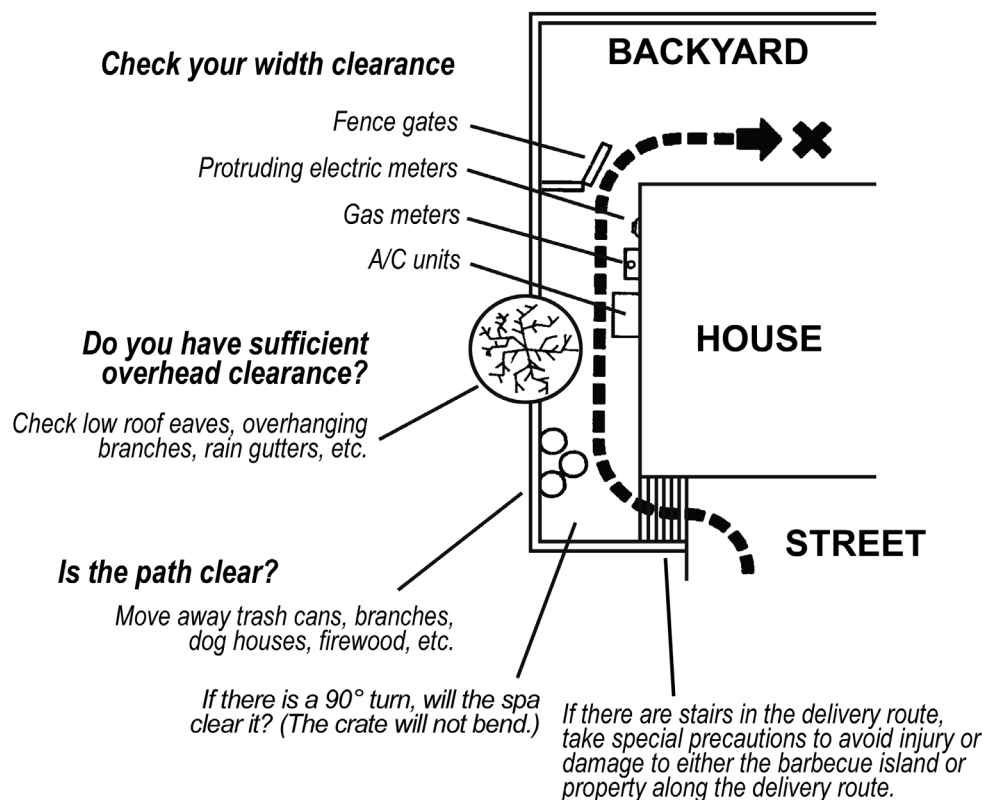
	Height	Width	Depth
Grill Cart	60"	64"	36"
G3400Z Barbecue Island - Crate 1	60"	63"	45"
Crate 2	69"	52"	53"
Crate 3	84"	62"	45"
S6002GZ and S6004GZ Barbecue Islands	57"	84"	70"



Plan the Delivery Route

Consider the following when planning your delivery route:

- Check the width of gates, doors and sidewalks to make sure each crate will pass through unobstructed. You may have to remove a gate or part of a fence to allow for adequate width clearance.
- Are there low roof eaves, overhanging branches or rain gutters that could be an obstruction to overhead clearance?
- Each crate needs at least the width of the crate plus 12".
- If the delivery route will require a 90° turn, check the measurements at the turn to ensure each crate will fit.
- Are there protruding gas meters, water meters or A/C units on your home which will cause obstructions along the delivery path to your yard?
- Are there stairs in your delivery route? If so, you must consult your contractor prior to delivery to make adequate preparations.



Special Circumstances

The use of a crane for delivery and installation may become necessary if you are unable to provide an adequate delivery route. It is used primarily to avoid injury to your gas appliance, your property or to delivery personnel. If your delivery requires the use of a crane, the cost of a crane is not included in the standard delivery service. The purchaser is responsible for coordinating delivery with a local crane company.

Installation After Delivery

After your gas appliance is delivered, set in place, and all hardware is mounted, you will need to connect all of the services. We strongly recommend you hire a qualified and licensed gas or electrical technician to perform your installation.

For the barbecue island, the natural gas line connects to the grill inside the island. As you are facing the grill, the connection is located at the right rear side of the grill. The stub-up will terminate with a valve and a ½" male fitting. Connect the flexible tubing from the grill to the male fitting.

Both the natural gas and the electrical service connect inside where the grill outlet is located.

The voltage transformer can be mounted to any part of the frame where it will not be in the way. Plug it into the 110V grounded outlet located inside the barbecue island.

The side burner does not require a separate regulator. You can put in a tee in the line after it comes out of the regulator. For detailed installation instructions, see the owner's manual.

For more information on installing and operating your gas appliance, see the owner's manual.

California Proposition 65 Warning: Chemicals known to the State of California to cause cancer, birth defects or other reproductive harm are found in and/or created by the combustion of natural gas, propane, butane and other fuels. Always operate this unit as described in the owner's manual and in well ventilated areas.

Copyright 2008-2009 Lloyds Material Supply, Inc. All rights reserved. Duplication without written consent is strictly prohibited.

Cal Flame © is a registered trademark.

Due to continuous improvement programs, all models, operation, and/or specifications are subject to change without prior notice.

CONTACT INFORMATION

Customer Service Department
1462 East Ninth Street
Pomona, CA 91766

Toll Free: 1-800-CAL-SPAS
Fax: 1-909-629-3890

www.calspas.com