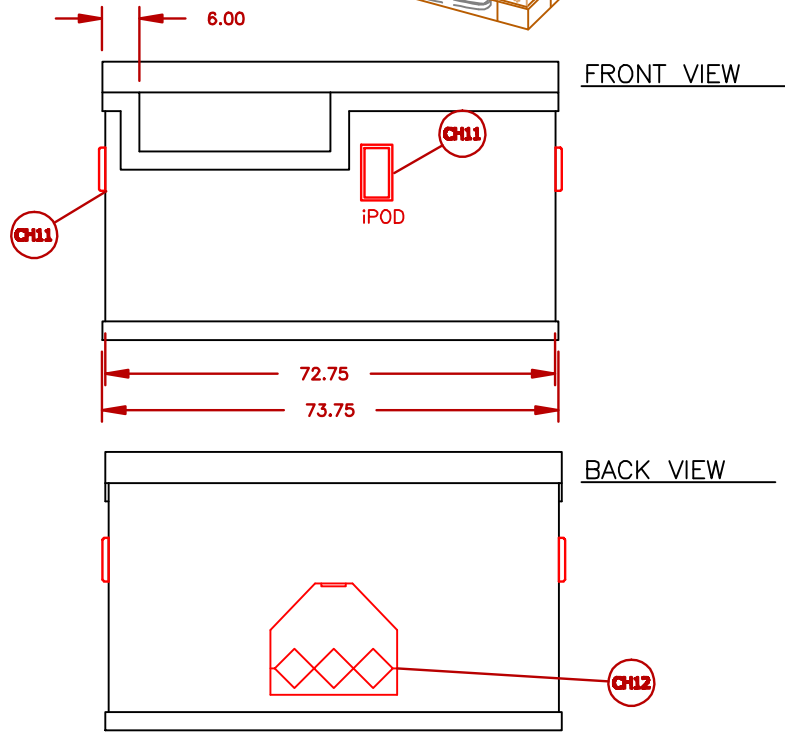
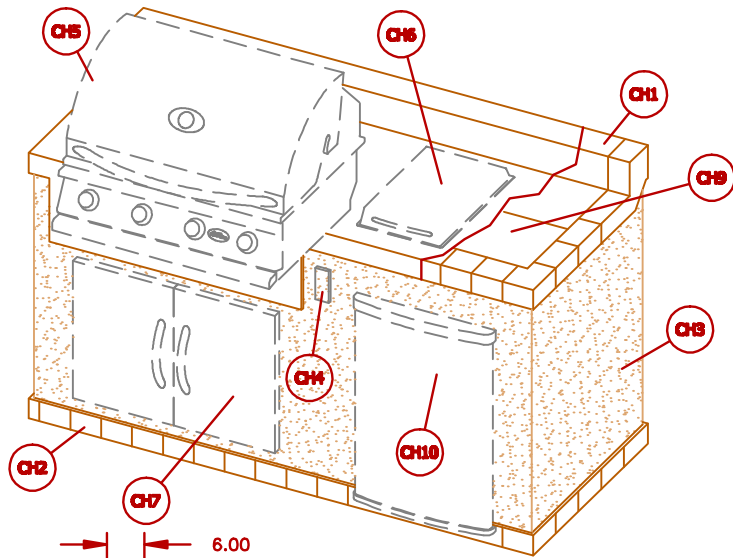


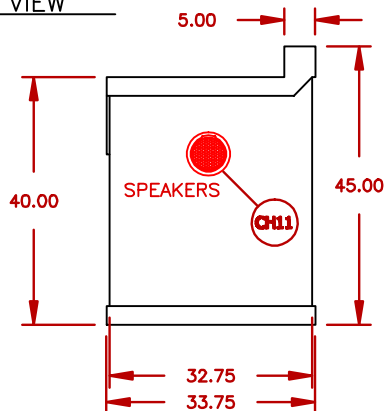
# Option Placement May Vary

SEE NOTES BELOW FOR MORE INFORMATION

LINE	BBQ LINE
MODEL	PV6004
REF.	



## SIDE VIEW



NOTE:  
DUE TO OUR CONTINUOUS IMPROVEMENT PROGRAM, ALL MODELS  
AND SPECIFICATIONS ARE SUBJECT TO CHANGE WITHOUT NOTICE.

## COMPATIBLE CONFIGURATION TABLE

SYMB.	DESCRIPTION	
CH1	TOP COLORS CHOICES	
CH2	BASE COLOR CHOICES	
CH3	BASE ACCESSORY CHOICES	
CH4	ELECTRICAL	
CH5	GRILLS CHOICES [A1] G-CHARCOAL [A2] 4 BURNER G4, P4, CONV. [A3] 5 BURNER P4, CONV. TOP GUN	-5 BURNER GRILL NOT COMPATIBLE WITH ITEMS: E4 -5 BURNER + REFRIGERATOR NOT COMPATIBLE WITH ITEMS E5-E6
CH6	SIDE BURNERS CHOICES: [B1] DELUXE DOUBLE SIDE BY SIDE [B2] STAD. SIDE BY SIDE [B3] DELUXE DOUBLE [B4] STANDARD	
CH7	DOOR & DRAWERS CHOICES: [C1] 27 ACCESS DOOR [C2] 18 SINGLE ACCESS DOOR [C3] 30 DOOR & DRAWER COMBO [C4] COMPLETE UTILITY STORAGE [C5] PAPER TOWEL STORAGE [C6] 2 DRAWER STORAGE [C7] 3 DRAWER STORAGE [C8] 3 DRAWER WIDE [C9] PROPANE TANK DRAWER [C10] 2 IN 1 OVEN (110V) ELECTRIC PIZZA 7 WARM.	-30 DOUBLE DOOR AND REFRIGERATOR NOT COMPATIBLE WITH ITEM: C4-C7-C8-C10
CH8	ACCESSORIES: GRILLS [D1] BOTTLE OPENER	
CH9	ACCESSORIES: DROP INS [E1] 12 DROP IN FOOD WARMER [E2] 12 COCKTAIL CENTER [E3] 18 COCKTAIL CENTER [E4] 30 DROP IN BAR [E5] HIBACHI DROP IN GRILL [E6] POWER BURNER [E7] STAINLESS STEEL SINK W FAUCET	
CH10	REFRIGERATORS & OVENS [F1] STAINLESS STEEL REFRIG. [F2] BEER TAP REFRIG. [F3] OUTDOOR S.S. REFRIG. [F4] OUTDOOR S.S. ICE MAKER [F5] OUTDOOR S.S. BEVARE COOLER	ANY REFRIGERATOR NOT COMPATIBLE WITH ITEMS: B1-B3-E1-E2-E3 -E4-E5-E6-E7
CH11	[G3] iPOD STATION W/ [2] SPEAKERS [G4] UMBRELLA HOLE	iPOD STATION NOT COMPATIBLE W/ ITEMS: C4
CH12	ARCH	

STANDARD FEATURES
DESCRIPTION
PORCELAIN TILE 12 X 12 (FIELD) (BORDER)
AMERISTONE STUCCO STANDARD FINISH
INTERIOR ELECTRICAL



TITLE  
2018 BARBECUE LINE  
PAVILION SERIES  
PV6004

SCALE:

DWG NO.

DWG BY

J.ORNELAS

REVISED

REV. DESCR.

DATE

04/04/18