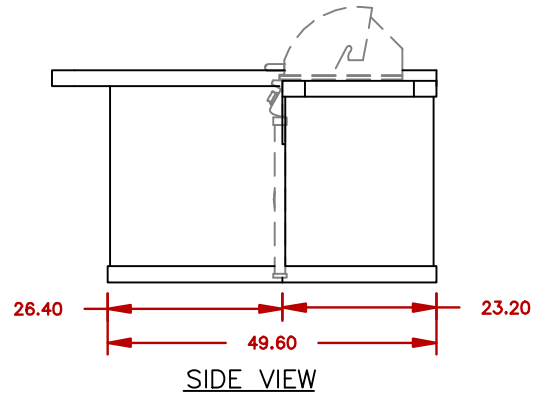
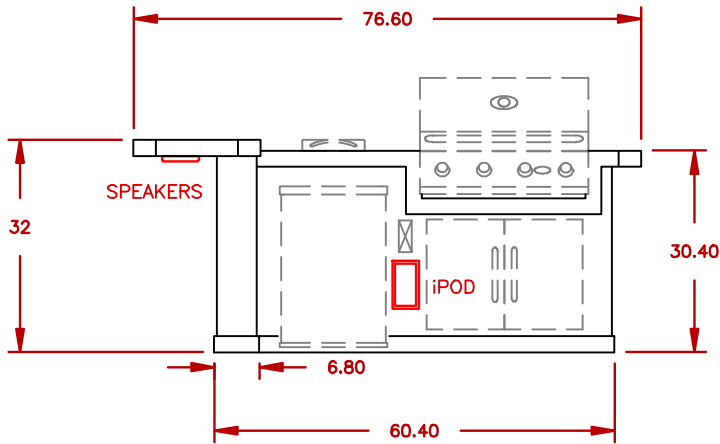
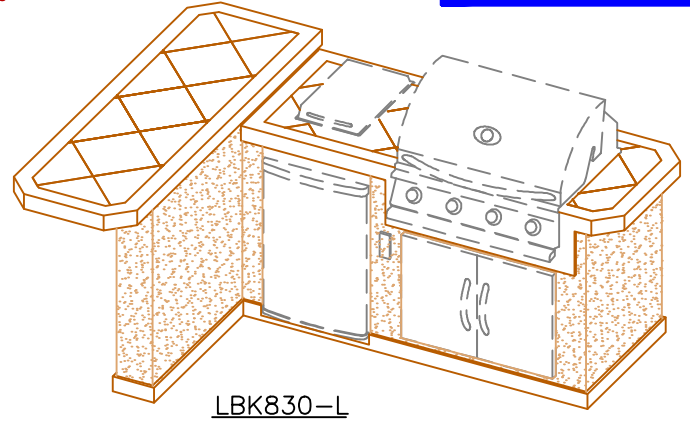
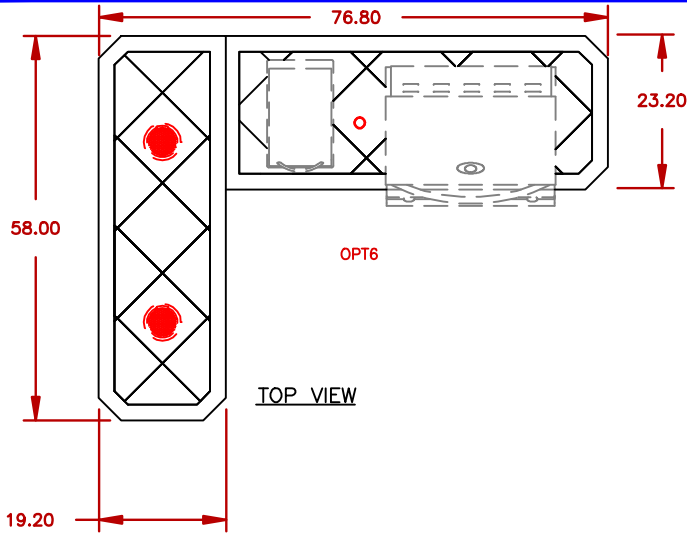
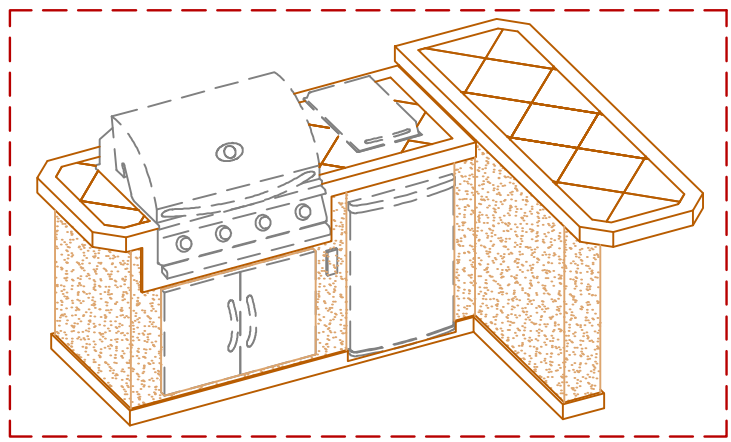


LINE	BBQ LINE
MODEL	LBK830
REF.	



OPTIONS		
SYMB.	DESCRIPTION	OPT#
OPT1	NATURAL STONE TILE 12X12	SEE COLOR CHART
OPT2	CULTURE STONE	SEE COLOR CHART
OPT3	LED LIGHTING	OPTQ830A
OPT4	UNDERCOUNTER LIGHTS	OPTQ820L
OPT5	iPOD STATION W/ [2] SPEAKERS	OPTQ107
OPT6	UMBRELLA HOLE ONLY	OPTQ837

STANDARD FEATURES		
QTY.	SYMB.	DESCRIPTION
-	(A)	PORCELAIN TILE 12 X 12 (FIELD) (BORDER)
-	(B)	AMERISTONE STUCCO
-	(C)	3" BOTTOM TRIM (TILE ONLY)
1	(D)	4 BURNER P4 LP
1	(E)	STD. SIDE BURNER BURNER LP
1	(F)	OUTDOOR ELECTRICAL
1	(G)	30" DOUBLE ACCESS DOOR
1	(H)	SST REFRIGERATOR



NOTE:
DUE TO OUR CONTINUOUS IMPROVEMENT PROGRAM, ALL MODELS
AND SPECIFICATIONS ARE SUBJECT TO CHANGE WITHOUT NOTICE.



TITLE 2019 BARBECUE LINE
LBK SERIES
LBK830

SCALE:

DWG NO.

DWG BY

J.ORNELAS

REVISED

REV. DESCR.

DATE

11/9/18