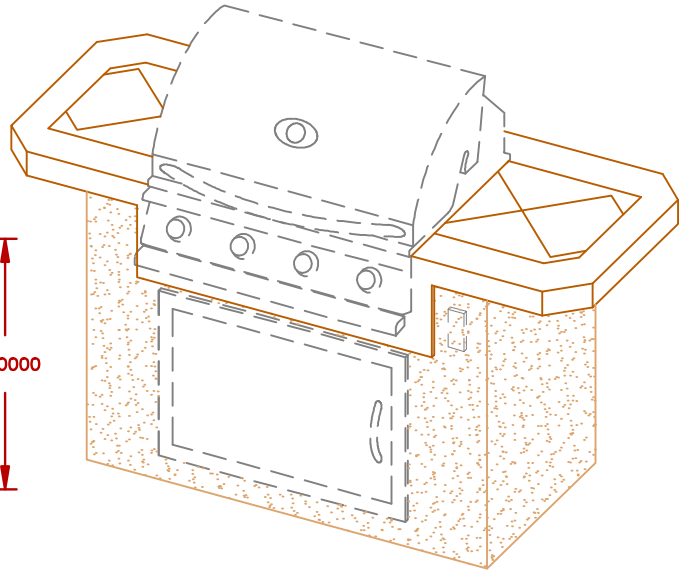
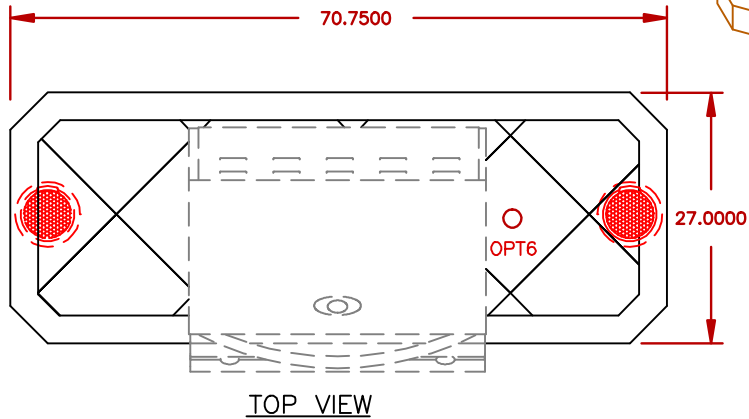
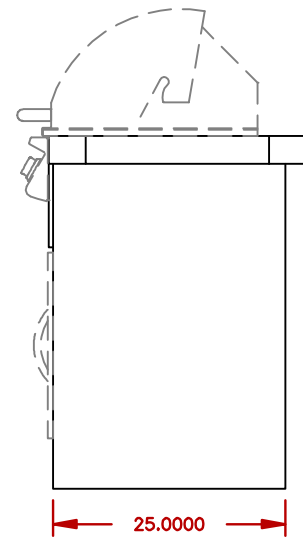
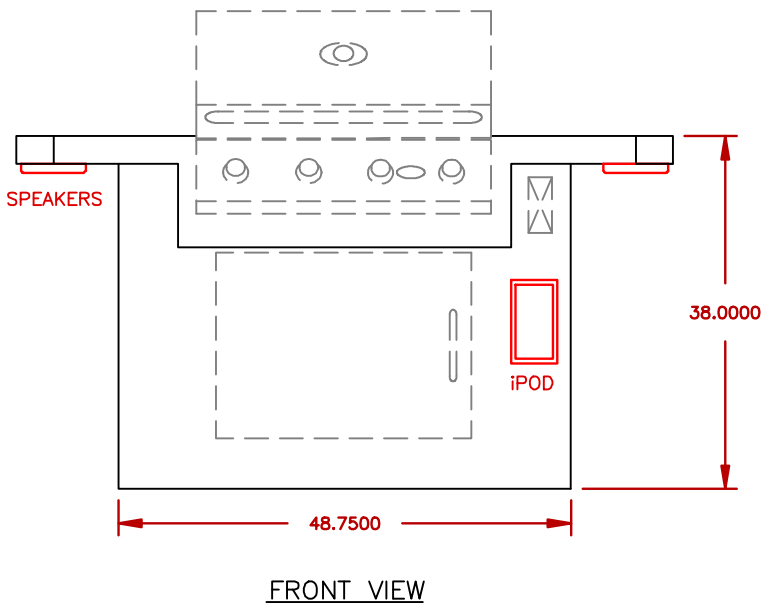


LINE	BBQ LINE
MODEL	LBK601
REF.	



LBK-601



STANDARD FEATURES

QTY.	SYMB.	DESCRIPTION
-	(A)	PORCELAIN TILE 12 X 12 (FIELD) (BORDER)
-	(B)	AMERISTONE STUCCO
1	(C)	4 BURNER P4 LP
1	(D)	OUTDOOR ELECTRICAL
1	(E)	27" ACCESS DOOR

OPTIONS

SYMB.	DESCRIPTION	OPT#
OPT1	NATURAL STONE TILE 12X12	SEE COLOR CHART
OPT3	LED LIGHTING	OPTQ830A
OPT4	UNDERCOUNTER LIGHTS	OPTQ820L
OPT5	iPOD STATION W/ [2] SPEAKERS	OPTQ107
OPT6	UMBRELLA HOLE ONLY	OPTQ837

NOTE:
DUE TO OUR CONTINUOUS IMPROVEMENT PROGRAM, ALL MODELS
AND SPECIFICATIONS ARE SUBJECT TO CHANGE WITHOUT NOTICE.



TITLE 2019 BARBECUE LINE LBK SERIES LBK601		
SCALE:	DWG NO.	DWG BY J.ORNELAS
REVISED	REV. DESCR.	DATE 11/9/18