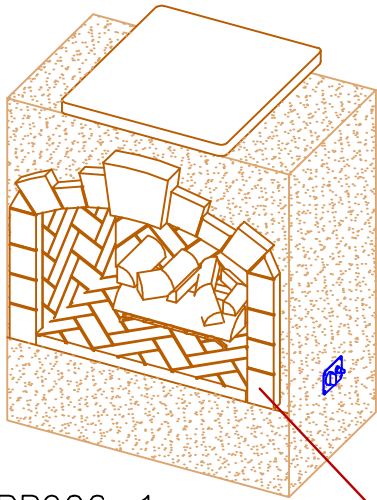
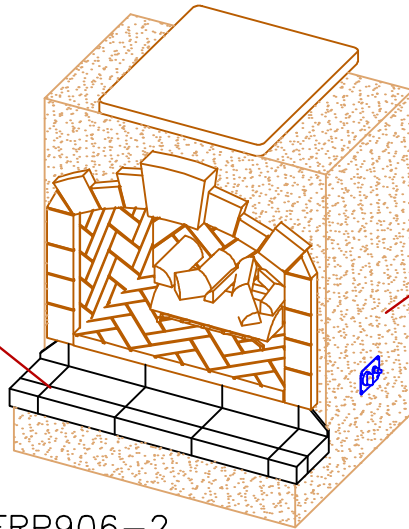


LINE	BBQ LINE
MODEL	FRP906
NUM	



FRP906-1

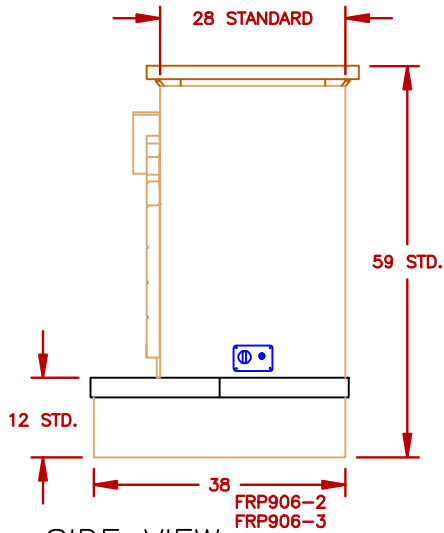
(C)



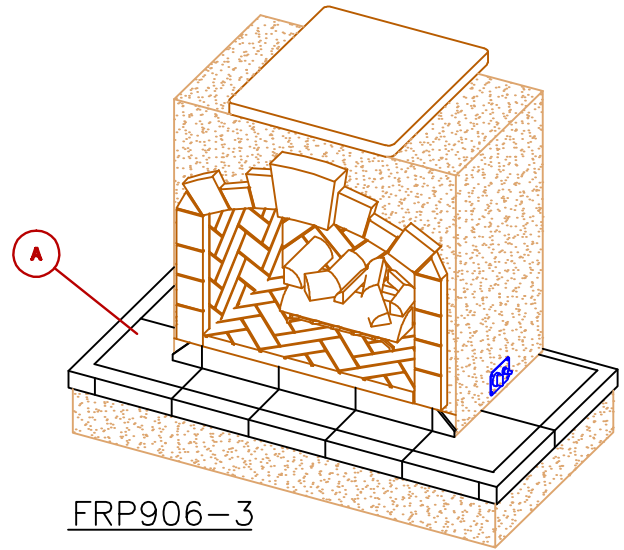
FRP906-2

(A)

(B)



SIDE VIEW

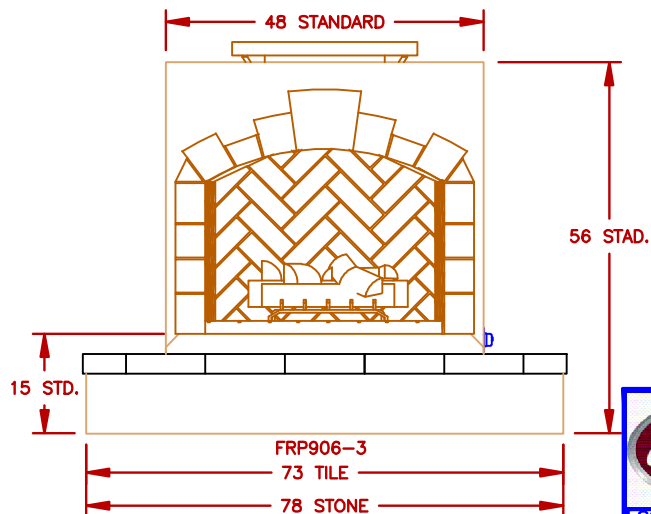


FRP906-3

(A)

OPTIONS		
SYMB.	DESCRIPTION	OPT#
OPT1	CULTURE STONE	OPTQ825
OPT2	NATURAL STONE TILE (FIELD) (BORDER)	OPTQ860

STANDARD FEATURES		
QTY.	SYMB.	DESCRIPTION
-	(A)	PORCELAIN TILE 12 X 12 (FIELD) (BORDER)
-	(B)	AMERISTONE STUCCO STANDARD FINISH
1	(C)	36" FIBERGLASS STONE ARCH
1	(D)	BURNER BTU OUTPUT 55,000
1	(E)	18" GRATE
-	(F)	STAND. FIRE LOGS SET W/ LAVA ROCKS [7] 24"
1	(G)	LP STAND. NG CONVERTER
-	(H)	VENTILATION



FRONT VIEW

NOTE:
DUE TO OUR CONTINUOUS IMPROVEMENT PROGRAM, ALL MODELS
AND SPECIFICATIONS ARE SUBJECT TO CHANGE WITHOUT NOTICE.



TITLE
2019 BARBECUE LINE
FIREPLACE SERIES
FRP906

SCALE:

DWG NO.

DWG BY

J.ORNELAS

REVISED

REV. DESCR.

DATE

11/9/18