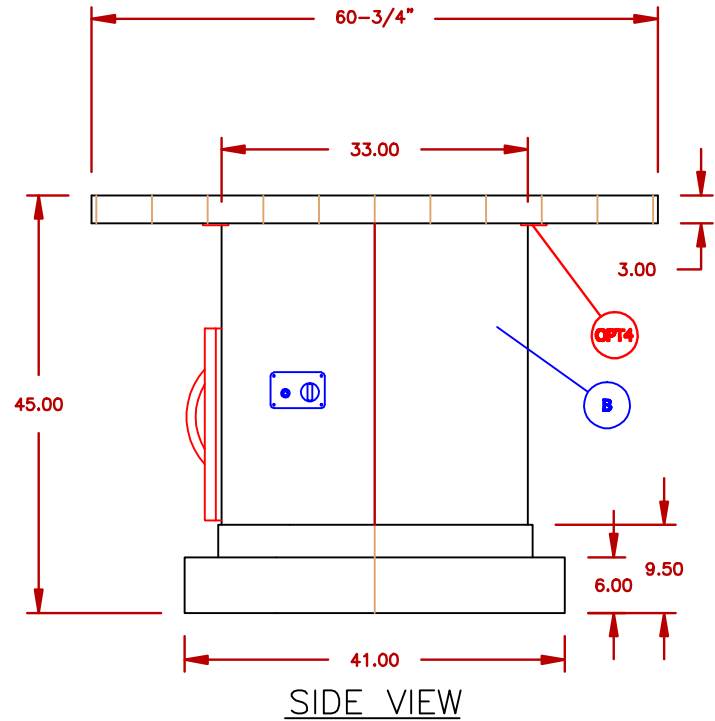
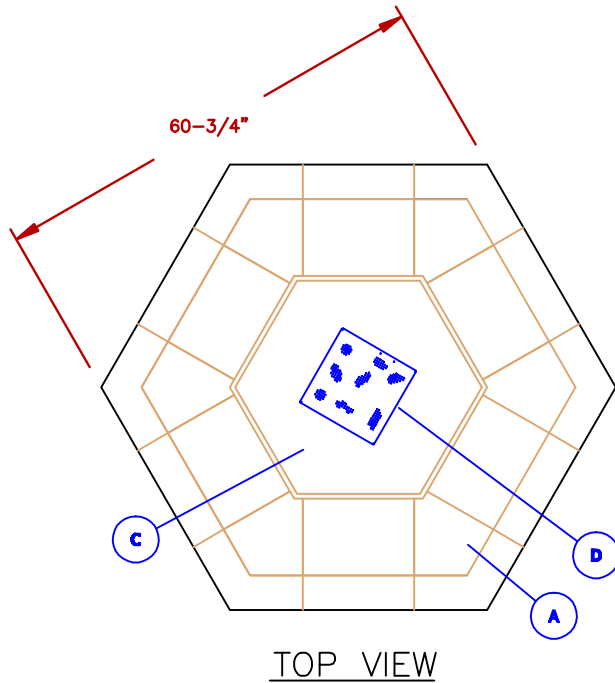
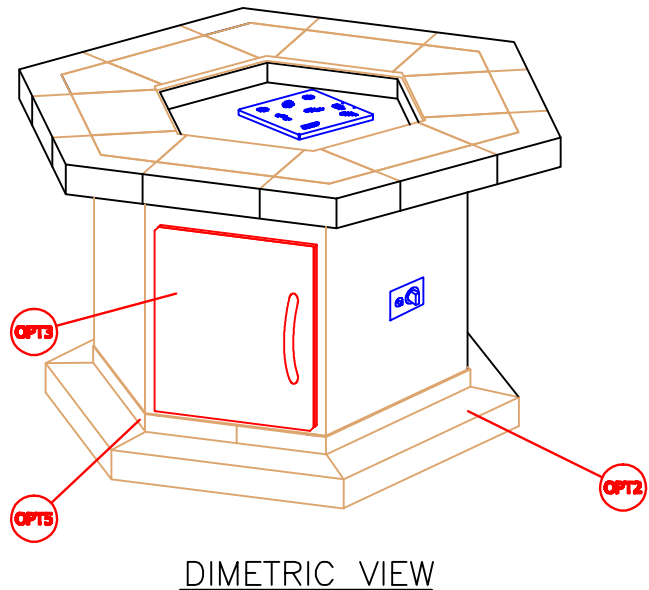


LINE	BBQ LINE
MODEL	FPT-H1050T
NUM	



STANDARD FEATURES		
QTY.	SYMB.	DESCRIPTION
-	(A)	PORCELAIN TILE 12 X 12 (FIELD) (BORDER)
-	(B)	AMERISTONE STUCCO STANDARD FINISH
-	(C)	FIRE BOX
1	(D)	BURNER BTU OUTPUT 55,000
4	(E)	STAND. FIRE LOGS SET W/ LAVA ROCKS 16"
1	(F)	LP STAND. NG CONVERTER
-	(G)	VENTILATION

OPTIONS		
SYMB.	DESCRIPTION	OPT#
OPT1	NATURAL STONE TILE (FIELD) (BORDER)	OPTQ860
OPT2	SOLID FOOT REST	OPTQ858-S
OPT3	18" VERTICAL DOOR	BBQ09841P-18
OPT4	UNDER COUNTER LIGHTS	OPTQ820L
OPT5	3" BOTTOM TRIM (TILE ONLY)	OPTQ827



NOTE:
DUE TO OUR CONTINUOUS IMPROVEMENT PROGRAM, ALL MODELS
AND SPECIFICATIONS ARE SUBJECT TO CHANGE WITHOUT NOTICE.

	TITLE 2018 BARBECUE LINE FIREPIT SERIES FPT-H1050T	
	SCALE:	DWG NO.
REVISED	REV. DESCR.	DWG BY J.ORNELAS
		DATE 11/30/17