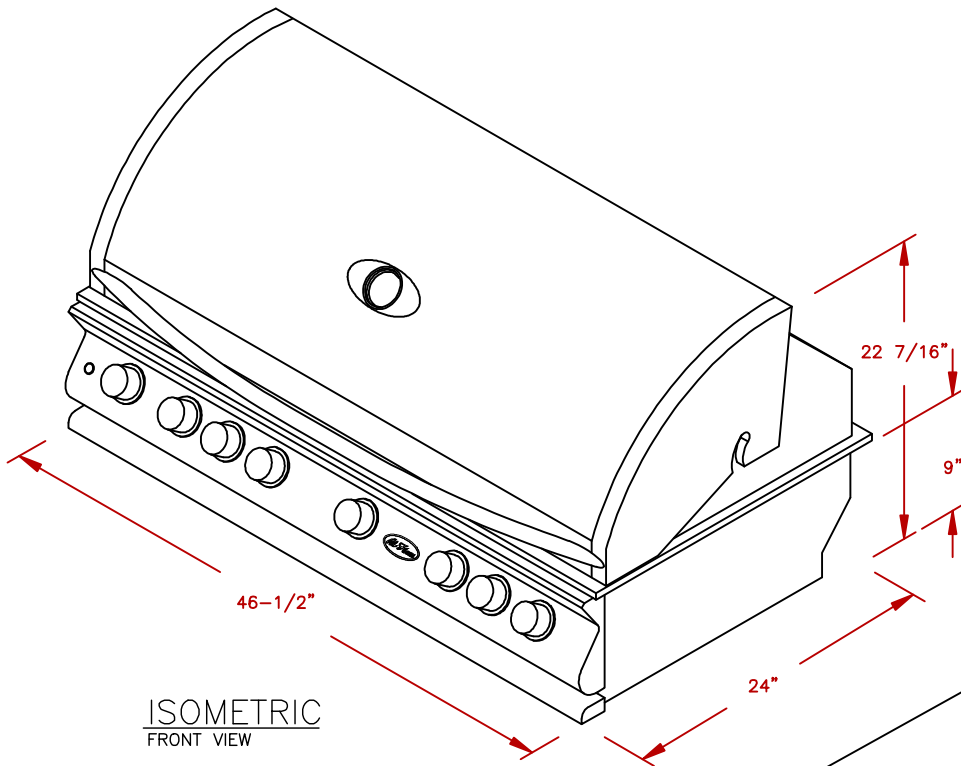
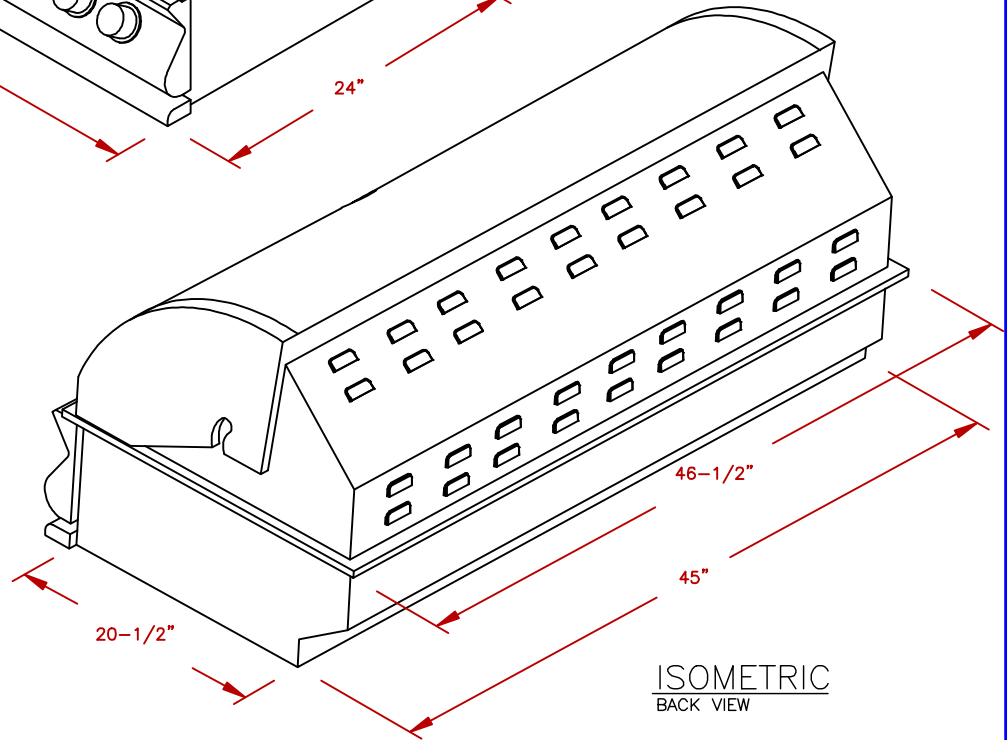


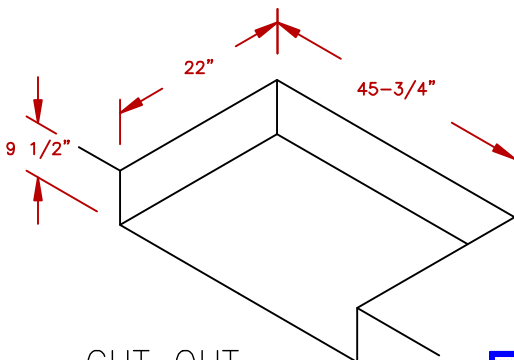
| | |
|-------|-----------|
| LINE | BBQ LINE |
| MODEL | P6 BURNER |
| NUM | |



ISOMETRIC
FRONT VIEW




ISOMETRIC
BACK VIEW



CUT OUT
6 BURNER GRILL

NOTE:
DUE TO OUR CONTINUOUS IMPROVEMENT PROGRAM, ALL MODELS
AND SPECIFICATIONS ARE SUBJECT TO CHANGE WITHOUT NOTICE.

| | | | |
|---|-------------|-----------|---|
|  | TITLE | | 2019 BARBECUE LINE GRILLS P6 BURNER |
| | SCALE: | DWG NO. | DWG BY |
| REVISED | REV. DESCR. | DATE | |
| | BBQ18P06 | J.ORNELAS | 11/09/18 |