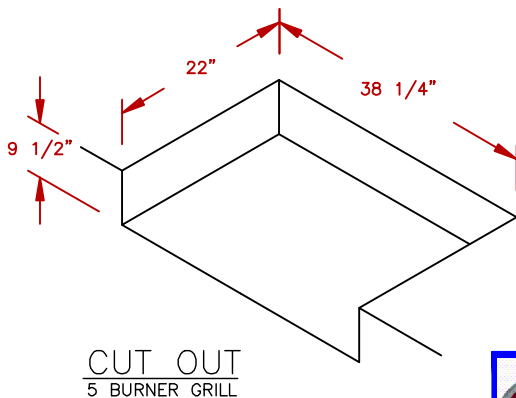
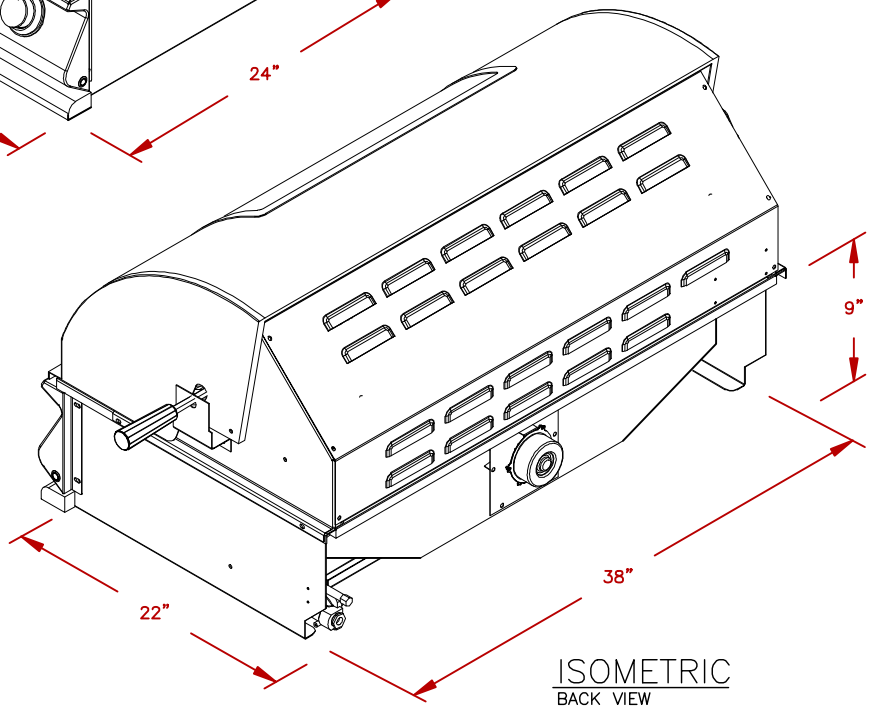
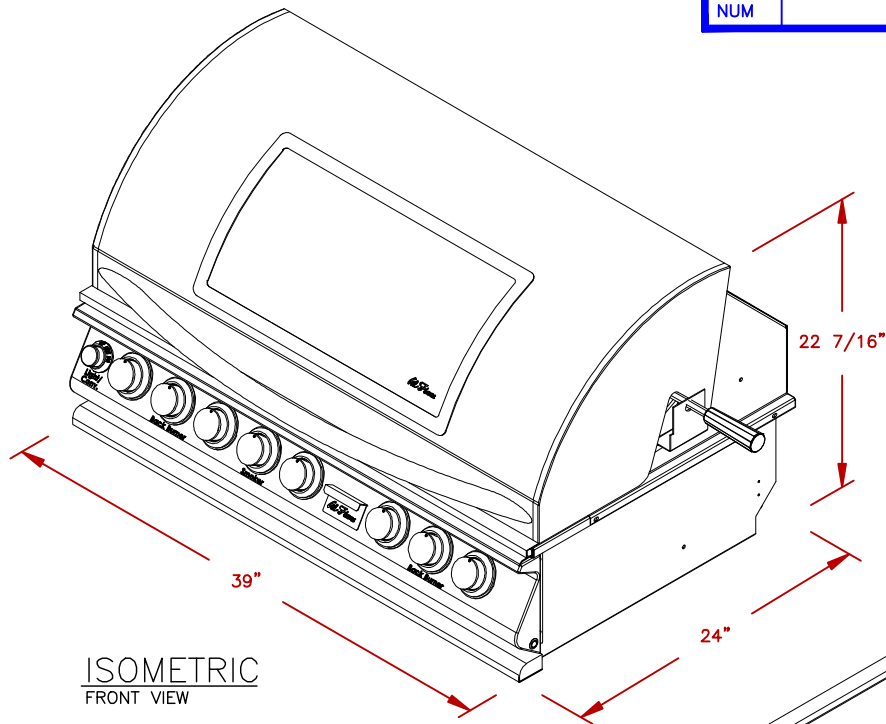



| | |
|-------|---------------------------|
| LINE | BBQ LINE |
| MODEL | TOP GUN 5 BRNR CONV/GRILL |
| NUM | |



NOTE:
DUE TO OUR CONTINUOUS IMPROVEMENT PROGRAM, ALL MODELS
AND SPECIFICATIONS ARE SUBJECT TO CHANGE WITHOUT NOTICE.

| | | |
|---|--|------------------------|
|  | TITLE 2019 BARBECUE LINE GRILLS TOP GUN 5 BRNR CONV/GRILL | |
| | SCALE: N/A | DWG NO. BBQ18875CTG |
| REVISED | REV. DESCR. | DATE 11/12/18 |