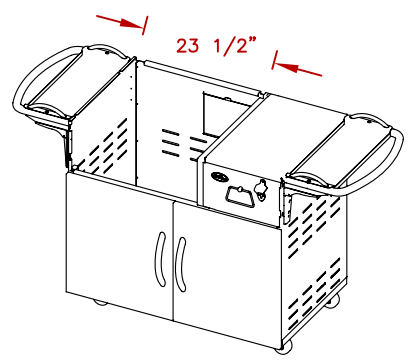
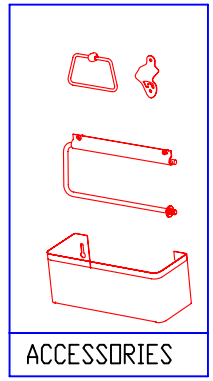
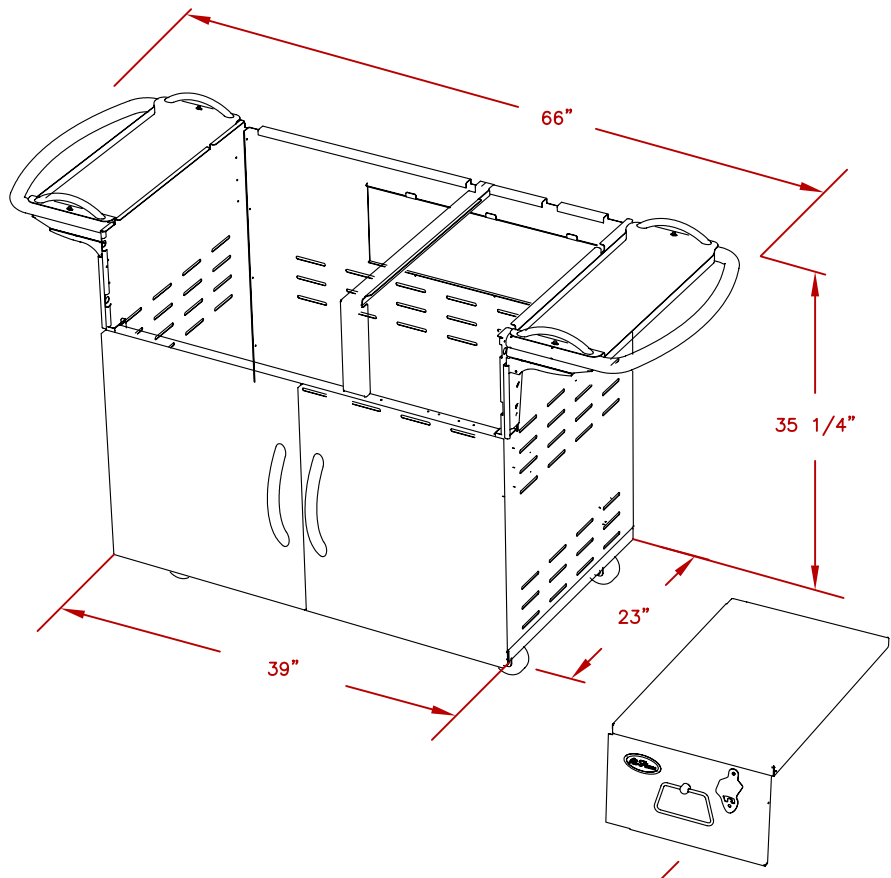
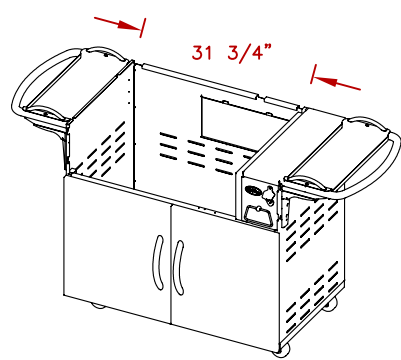


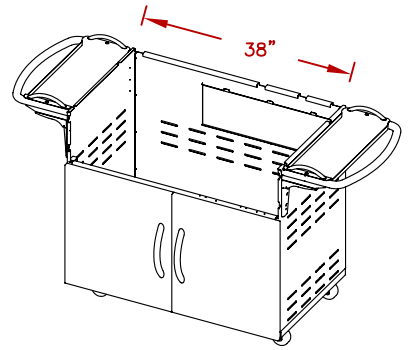
LINE	BBQ LINE
MODEL	A-LA CART PLUS
NUM	



3 BURNER GRILL



4 BURNER GRILL



5 BURNER GRILL

NOTE:
DUE TO OUR CONTINUOUS IMPROVEMENT PROGRAM, ALL MODELS
AND SPECIFICATIONS ARE SUBJECT TO CHANGE WITHOUT NOTICE.



SCALE:	
REVISED	

TITLE	2017 BARBECUE LINE CARTS A-LA CART PLUS	
-------	---	--

DWG NO.	BBQ10345-KDB	DWG BY	G.GARCIA
REV. DESCR.		DATE	12/15/16