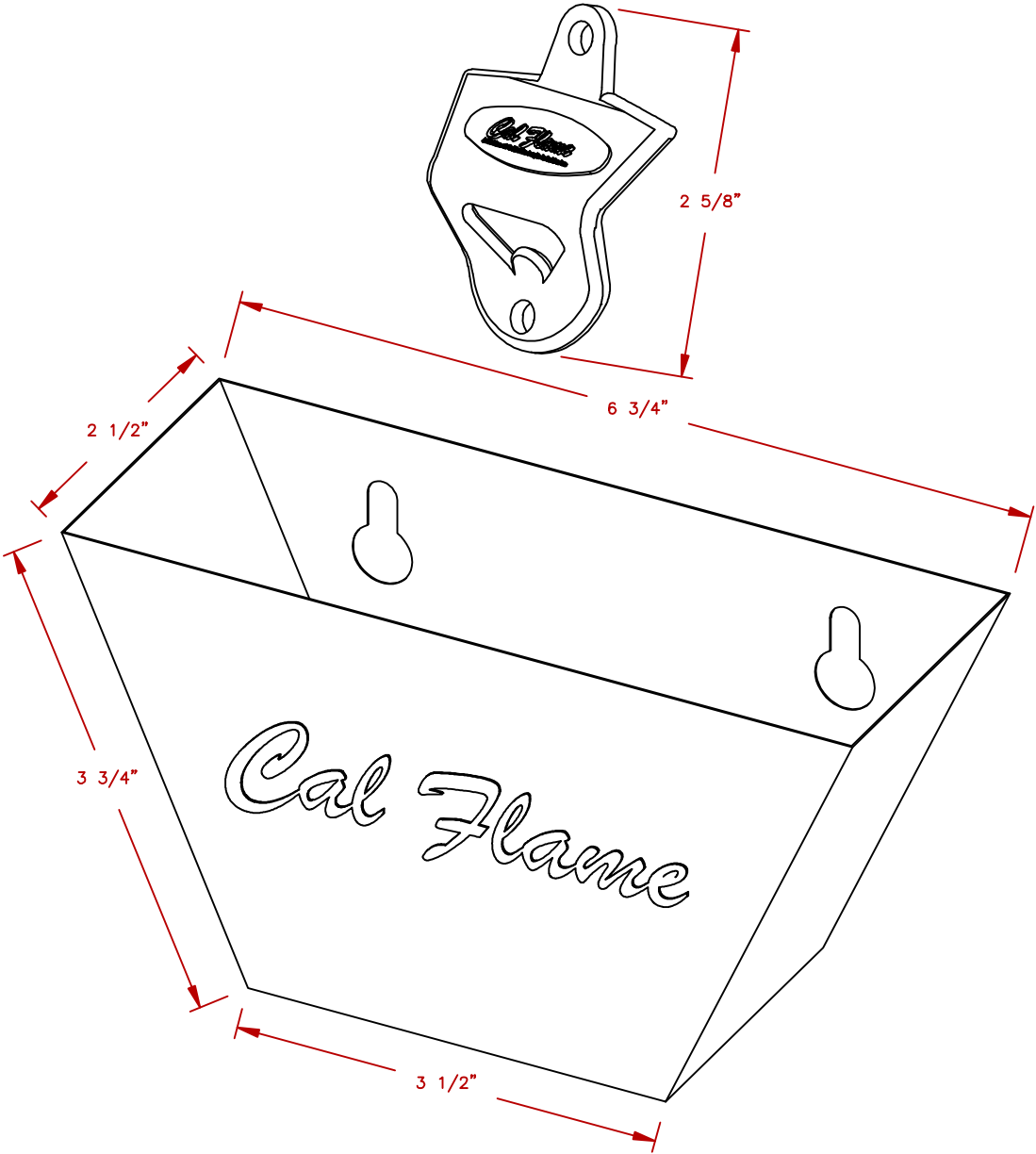


LINE	BBQ LINE
MODEL	BOTTLE OPENER/CATCHER
NUM	



TITLE 2019 BARBECUE LINE
ACCESSORIES
BOTTLE OPENER/CATCHER

SCALE:
REVISED

DWG NO. BBQ07901
REV. DESCR.

DWG BY J.ORNELAS
DATE 11/13/18

NOTE:
DUE TO OUR CONTINUOUS IMPROVEMENT PROGRAM, ALL MODELS
AND SPECIFICATIONS ARE SUBJECT TO CHANGE WITHOUT NOTICE.