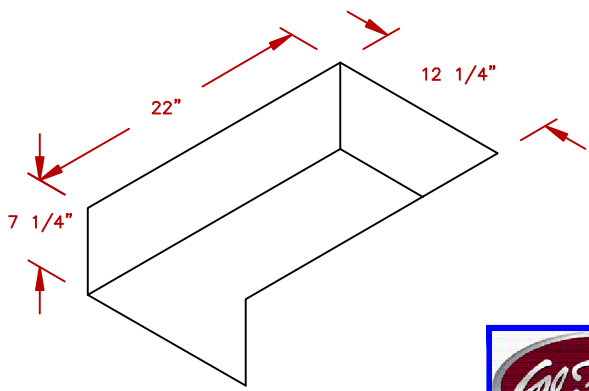
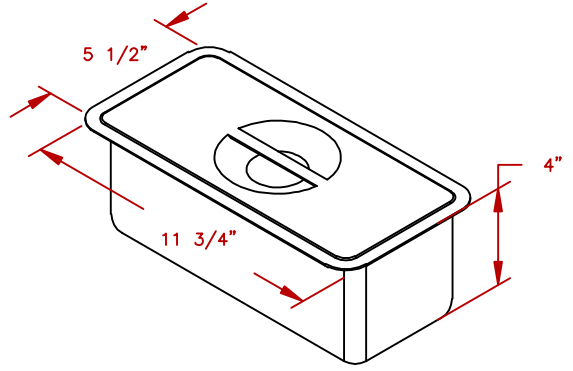
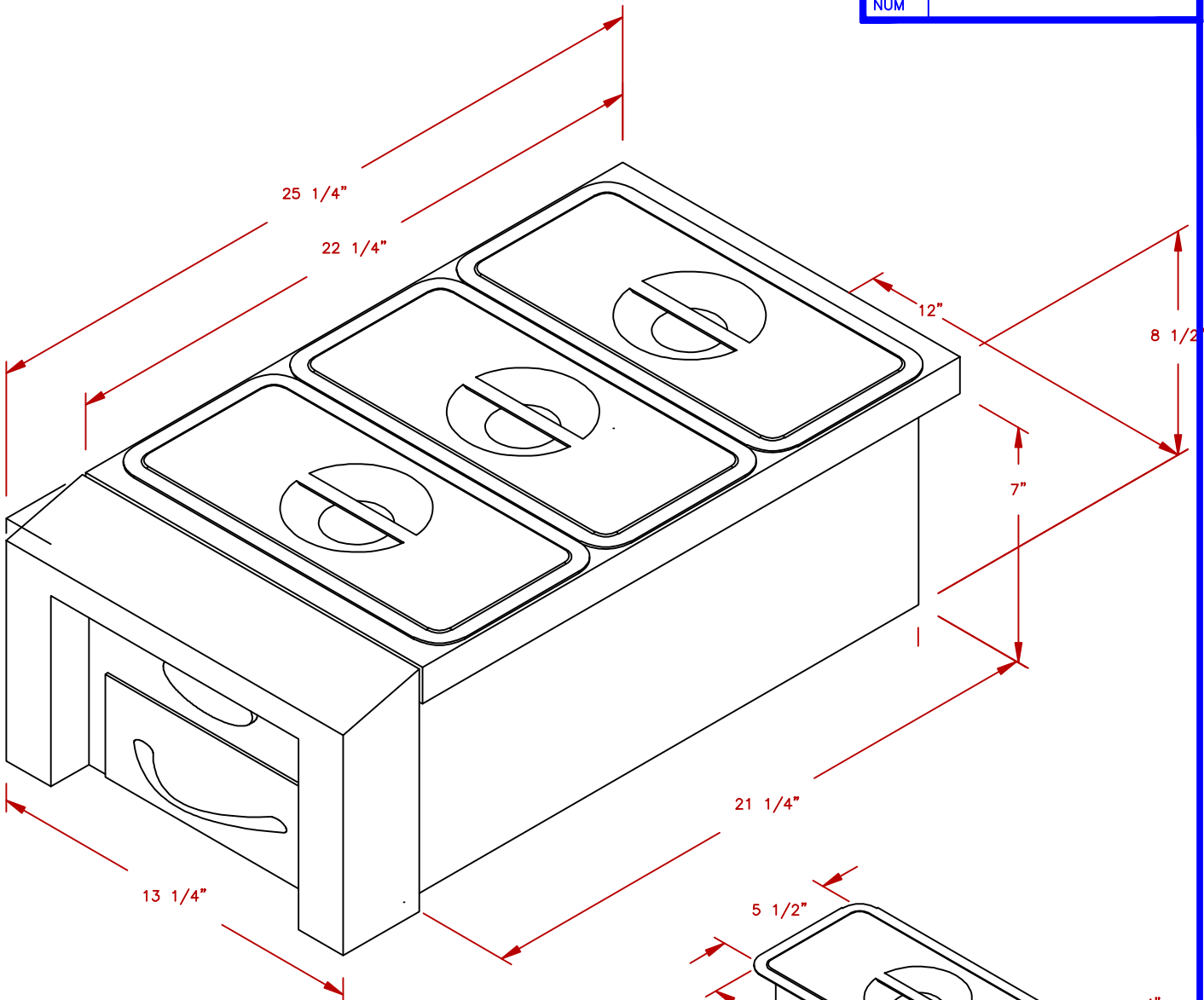


LINE	BBQ LINE
MODEL	FOOD WARMER
NUM	



CUT OUT DIMENSIONS

NOTE:
DUE TO OUR CONTINUOUS IMPROVEMENT PROGRAM, ALL MODELS
AND SPECIFICATIONS ARE SUBJECT TO CHANGE WITHOUT NOTICE.

	TITLE 2019 BARBECUE LINE ACCESSORIES-DROP IN- 12" FOOD WARMER	
	SCALE:	DWG NO. BBQ07888P
REVISED	REV. DESCR.	DATE 11/13/18