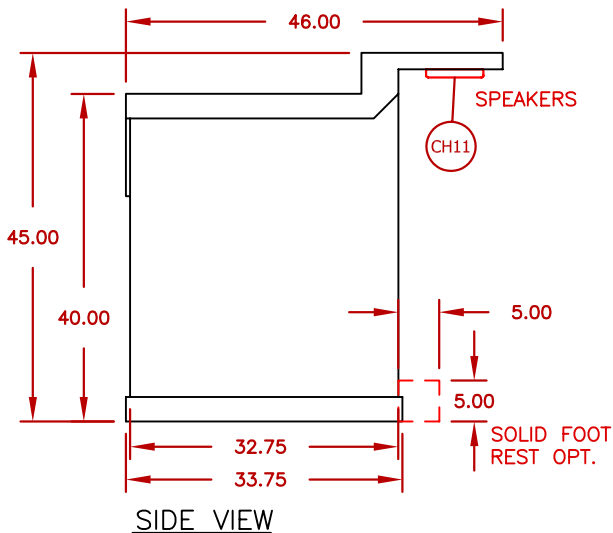
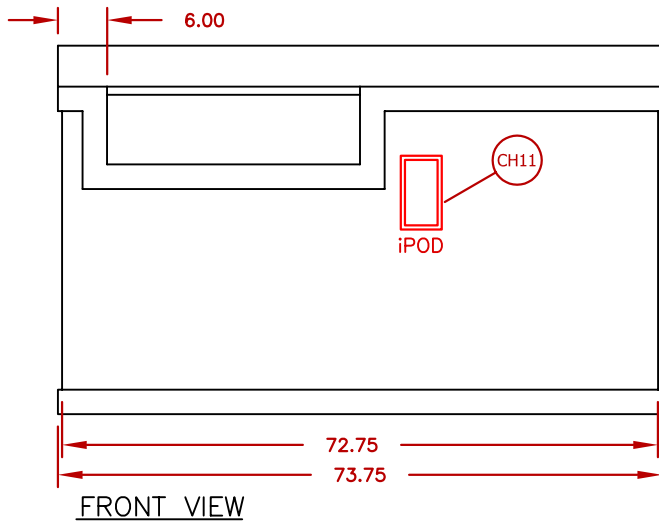
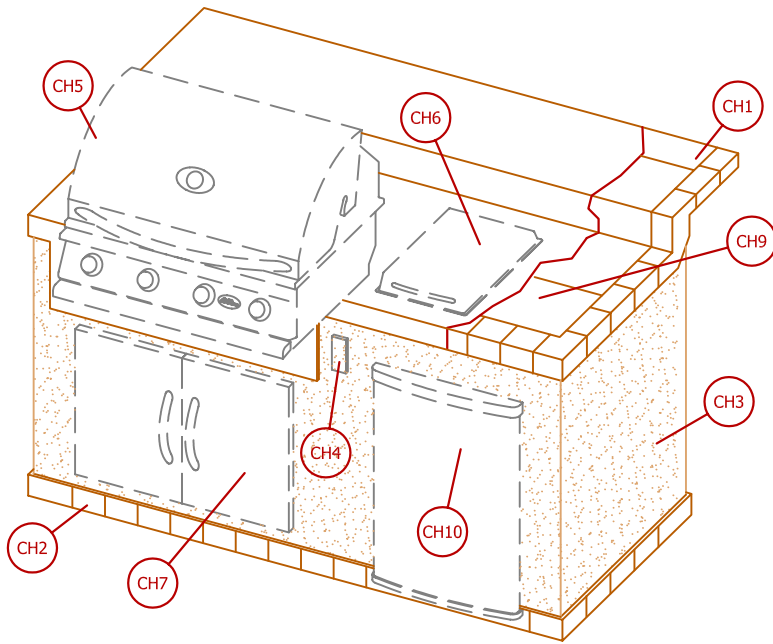


Option Placement May Vary

SEE NOTES BELOW FOR MORE INFORMATION

LINE	BBQ LINE
MODEL	PV6016
REF.	



COMPATIBLE CONFIGURATION TABLE

SYMB.	DESCRIPTION	
CH1	TOP COLORS CHOICES	
CH2	BASE COLOR CHOICES	
CH3	BASE ACCESSORY CHOICES	
CH4	ELECTRICAL	
CH5	GRILLS CHOICES [A1] G-CHARCOAL [A2] 4 BURNER G4, P4, CONV. [A3] 5 BURNER P4, CONV. TOP GUN	-5 BURNER GRILL NOT COMPATIBLE WITH ITEMS: E4 -5 BURNER + REFRIGERATOR NOT COMPATIBLE WITH ITEMS E5-E6
CH6	SIDE BURNERS CHOICES: [B1] DELUXE DOUBLE SIDE BY SIDE [B2] STAD. SIDE BY SIDE [B3] DELUXE DOUBLE [B4] STANDARD	
CH7	DOOR & DRAWERS CHOICES: [C1] 27 ACCESS DOOR [C2] 18 SINGLE ACCESS DOOR [C3] 30 DOOR & DRAWER COMBO [C4] COMPLETE UTILITY STORAGE [C5] PAPER TOWEL STORAGE [C6] 2 DRAWER STORAGE [C7] 3 DRAWER STORAGE [C8] 3 DRAWER WIDE [C9] PROPANE TANK DRAWER [C10] 2 IN 1 OVEN (110V) ELECTRIC PIZZA 7 WARM.	-30 DOUBLE DOOR AND REFRIGERATOR NOT COMPATIBLE WITH ITEM: C4-C7-C8-C10
CH8	ACCESSORIES: GRILLS [D1] BOTTLE OPENER	
CH9	ACCESSORIES: DROP INS [E1] 12 DROP IN FOOD WARMER [E2] 12 COCKTAIL CENTER [E3] 18 COCKTAIL CENTER [E4] 30 DROP IN BAR [E5] HIBACHI DROP IN GRILL [E6] POWER BURNER [E7] STAINLESS STEEL SINK W FAUCET	
CH10	REFRIGERATORS & OVENS [F1] STAINLESS STEEL REFRIG. [F2] BEER TAP REFRIG. [F3] OUTDOOR S.S. REFRIG. [F4] OUTDOOR S.S. ICE MAKER [F5] OUTDOOR S.S. BEVARE COOLER	ANY REFRIGERATOR NOT COMPATIBLE WITH ITEMS: B1-B3-E1-E2-E3-E4-E5-E6-E7
CH11	LIGHT & SOUNDS: [G1] LED LIGHTING [G2] UNDERCOUNTER LIGHTS [G3] IPOD STATION W/ [2] SPEAKERS [G4] UMBRELLA HOLE	IPOD STATION NOT COMPATIBLE W/ ITEMS: C4

STANDARD FEATURES

DESCRIPTION

PORCELAIN TILE 12 X 12 (FIELD) (BORDER)

AMERISTONE STUCCO STANDARD FINISH

INTERIOR ELECTRICAL



TITLE
2017 BARBECUE LINE
PAVILION SERIES
PV6016

SCALE:

DWG NO.

DWG BY

G.GARCIA

REVISED

REV. DESCR.

DATE

12/13/16

NOTE:
DUE TO OUR CONTINUOUS IMPROVEMENT PROGRAM, ALL MODELS AND SPECIFICATIONS ARE SUBJECT TO CHANGE WITHOUT NOTICE.