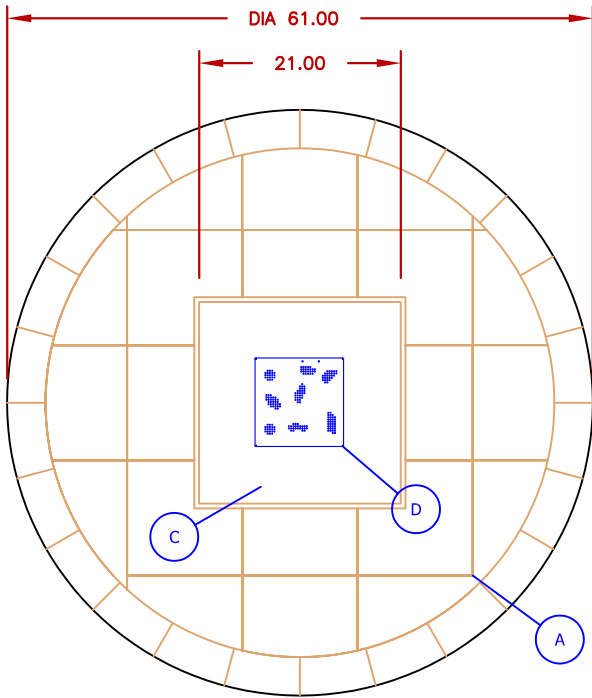
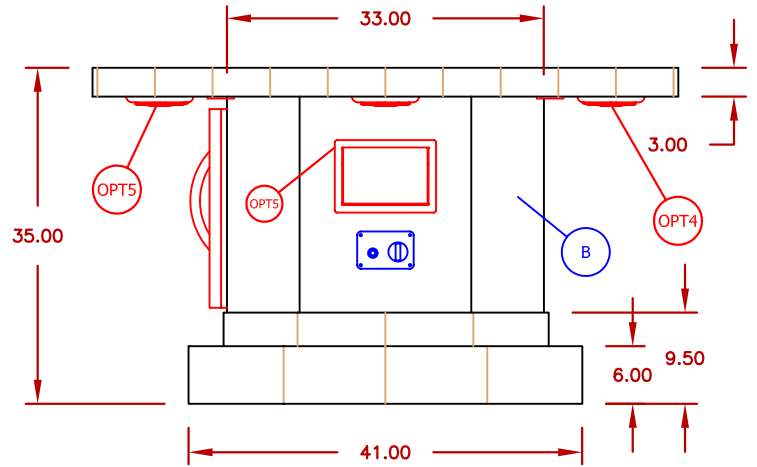


LINE	BBQ LINE
MODEL	FPT-R1050S
NUM	

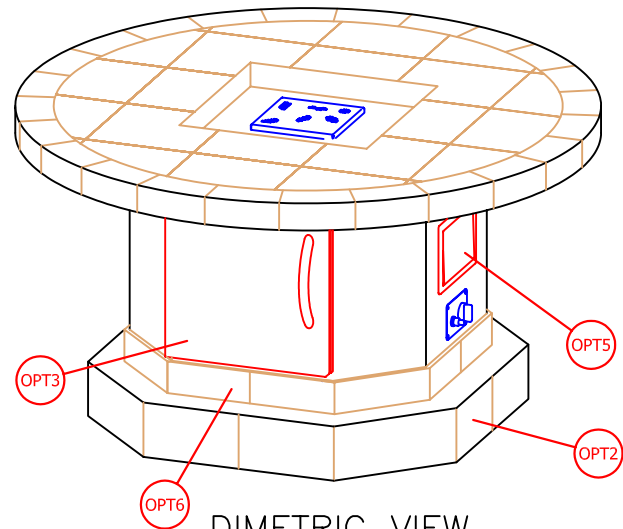


TOP VIEW



SIDE VIEW

STANDARD FEATURES		
QTY.	SYMB.	DESCRIPTION
-	(A)	PORCELAIN TILE 12 X 12 (FIELD) (BORDER)
-	(B)	AMERISTONE STUCCO STANDARD FINISH
-	(C)	FIRE BOX
1	(D)	BURNER BTU OUTPUT 55,000
4	(E)	STAND. FIRE LOGS SET W/ LAVA ROCKS 16"
1	(F)	LP STAND. NG CONVERTER
-	(G)	VENTILATION



DIMETRIC VIEW

OPTIONS		
SYMB.	DESCRIPTION	OPT#
OPT1	NATURAL STONE TILE (FIELD) (BORDER)	OPTQ860
OPT2	SOLID FOOT REST	OPTQ858-S
OPT3	18" VERTICAL DOOR	BBQ09841P-18
OPT4	UNDER COUNTER LIGHTS	OPTQ820L
OPT5	STEREO SYSTEM W/ 2 SPEAKERS	OPTQ189
OPT6	3" BOTTOM TRIM (TILE ONLY)	OPTQ827

NOTE:  
DUE TO OUR CONTINUOUS IMPROVEMENT PROGRAM, ALL MODELS  
AND SPECIFICATIONS ARE SUBJECT TO CHANGE WITHOUT NOTICE.

		TITLE	
		2017 BARBECUE LINE FIREPIT SERIES FPT-R1050S	
SCALE:	DWG NO.	DWG BY	
		G.GARCIA	
REVISED	REV. DESCR.	DATE	
		12/14/16	