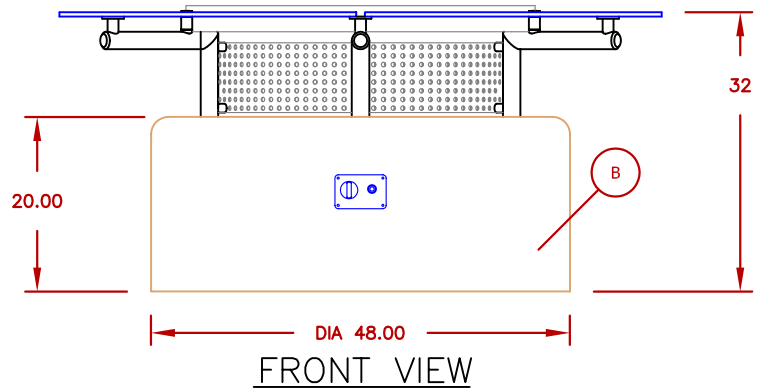
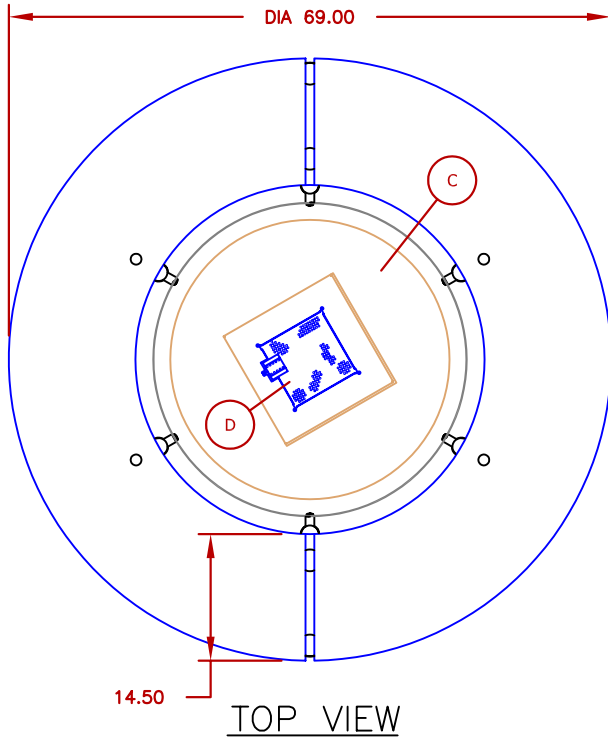
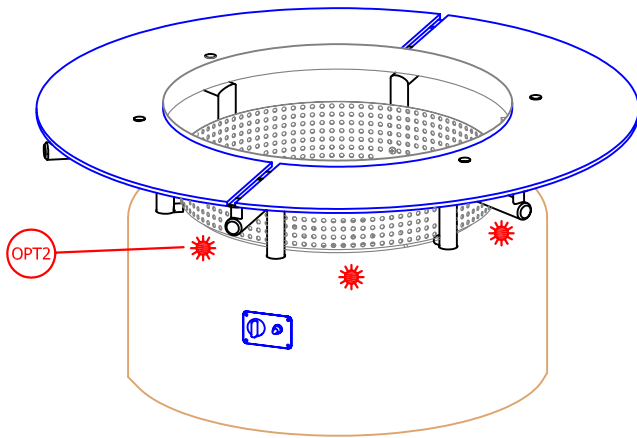


LINE	BBQ LINE
MODEL	FPT-2500
NUM	



OPTIONS		
SYMB.	DESCRIPTION	OPT#
OPT1	BASE LED LIGHTING	OPTQ820F



STANDARD FEATURES		
QTY.	SYMB.	DESCRIPTION
-	(B)	AMERISTONE STUCCO STANDARD FINISH
-	(C)	SQUARE FIRE BOX
1	(D)	BURNER BTU OUTPUT 55,000
4	(E)	STAND. FIRE LOGS SET W/ LAVA ROCKS 16"
1	(F)	LP STAND. NG CONVERTER
-	(G)	VENTILATION

NOTE:
DUE TO OUR CONTINUOUS IMPROVEMENT PROGRAM, ALL MODELS
AND SPECIFICATIONS ARE SUBJECT TO CHANGE WITHOUT NOTICE.

	TITLE	
	2017 BARBECUE LINE FIREPIT SERIES FPT-2500	
SCALE:	DWG NO.	DWG BY
		G.GARCIA
REVISED	REV. DESCR.	DATE
		12/13/16