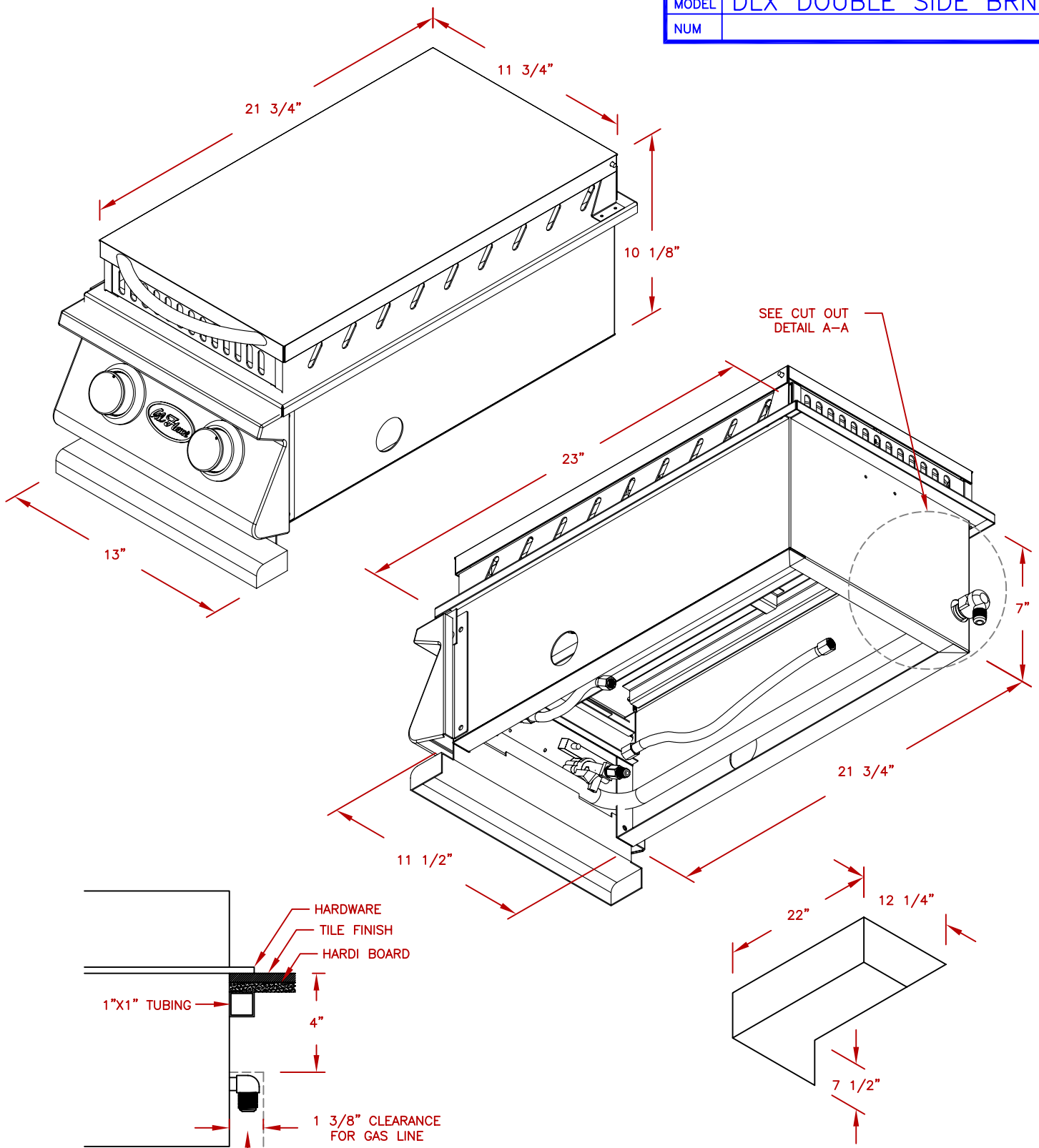


| | |
|-------|----------------------|
| LINE | BBQ LINE |
| MODEL | DLX DOUBLE SIDE BRN. |
| NUM | |



CUT OUT DETAIL A-A

TYP. CAL FLAME CROSS SECTION OF CUT OUT FOR GAS LINE. PRIVATE CONTRACTOR MUST ALLOW CLEARANCE FOR GAS LINE.

NOTE: DUE TO OUR CONTINUOUS IMPROVEMENT PROGRAM, ALL MODELS AND SPECIFICATIONS ARE SUBJECT TO CHANGE WITHOUT NOTICE.

| | | | |
|---|-------------|----------------------|--------------------|
|  | TITLE | | 2017 BARBECUE LINE |
| | | | SIDE BURNERS |
| | | DLX DOUBLE SIDE BRN. | |
| SCALE: | DWG NO. | DWG BY | |
| | BBQ13899 | G.GARCIA | |
| REVISED | REV. DESCR. | DATE | |
| | | 12/14/16 | |