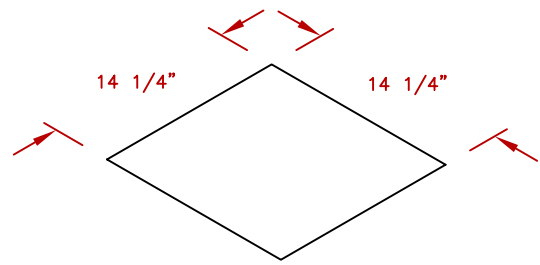
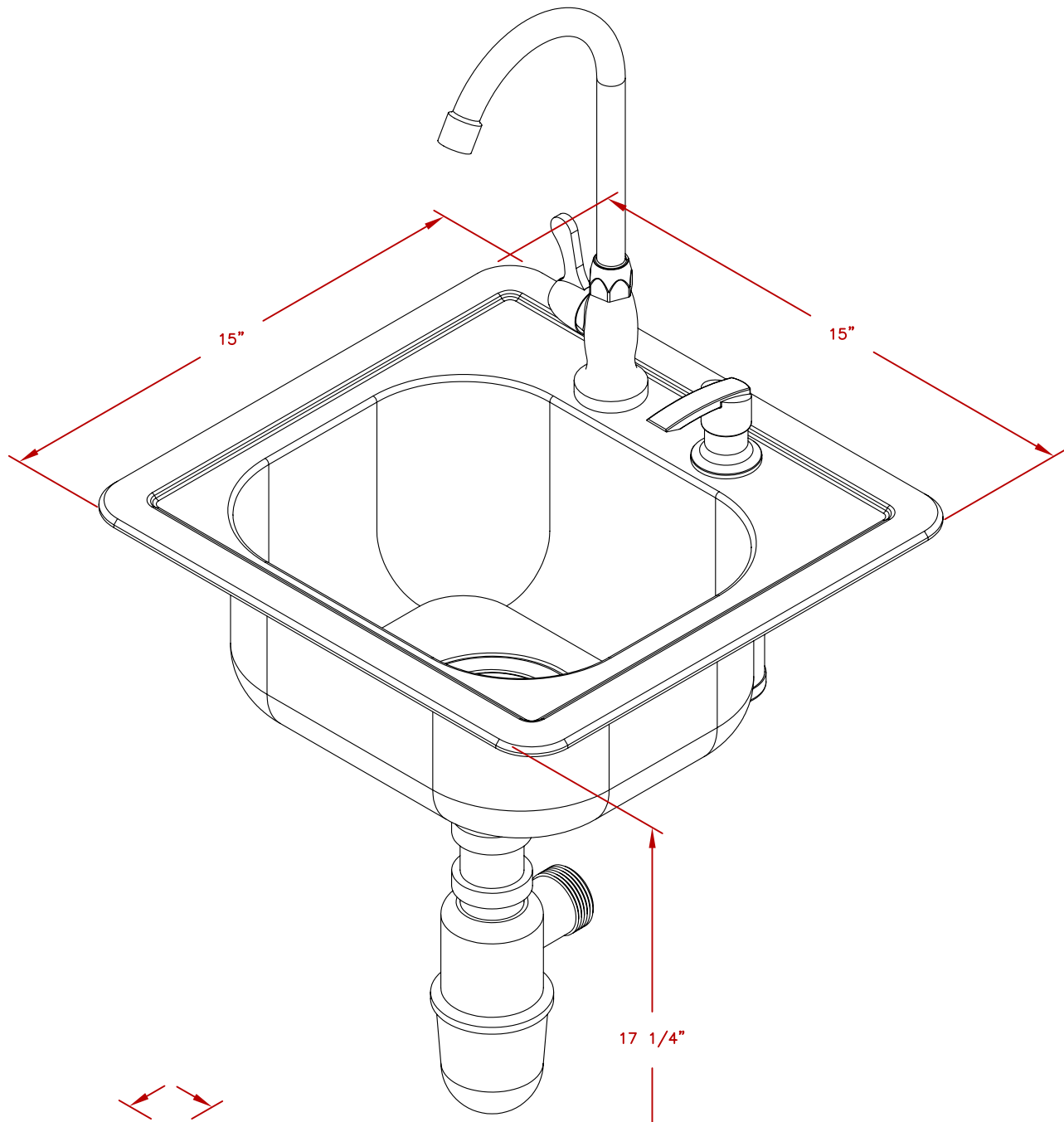


LINE	BBQ LINE
MODEL	SINK W/ SOAP DISPENSER
NUM	



CUT-OUT
DIMENSIONS

NOTE:
ONE FAUCET INLET ONLY

NOTE:
DUE TO OUR CONTINUOUS IMPROVEMENT PROGRAM, ALL MODELS
AND SPECIFICATIONS ARE SUBJECT TO CHANGE WITHOUT NOTICE.

	TITLE 2017 BARBECUE LINE ACCESSORIES-DROP IN- SINK W/ SOAP DISPENSER	
	SCALE:	DWG NO. BBQ11963
REVISED	REV. DESCR.	DATE 12/14/16