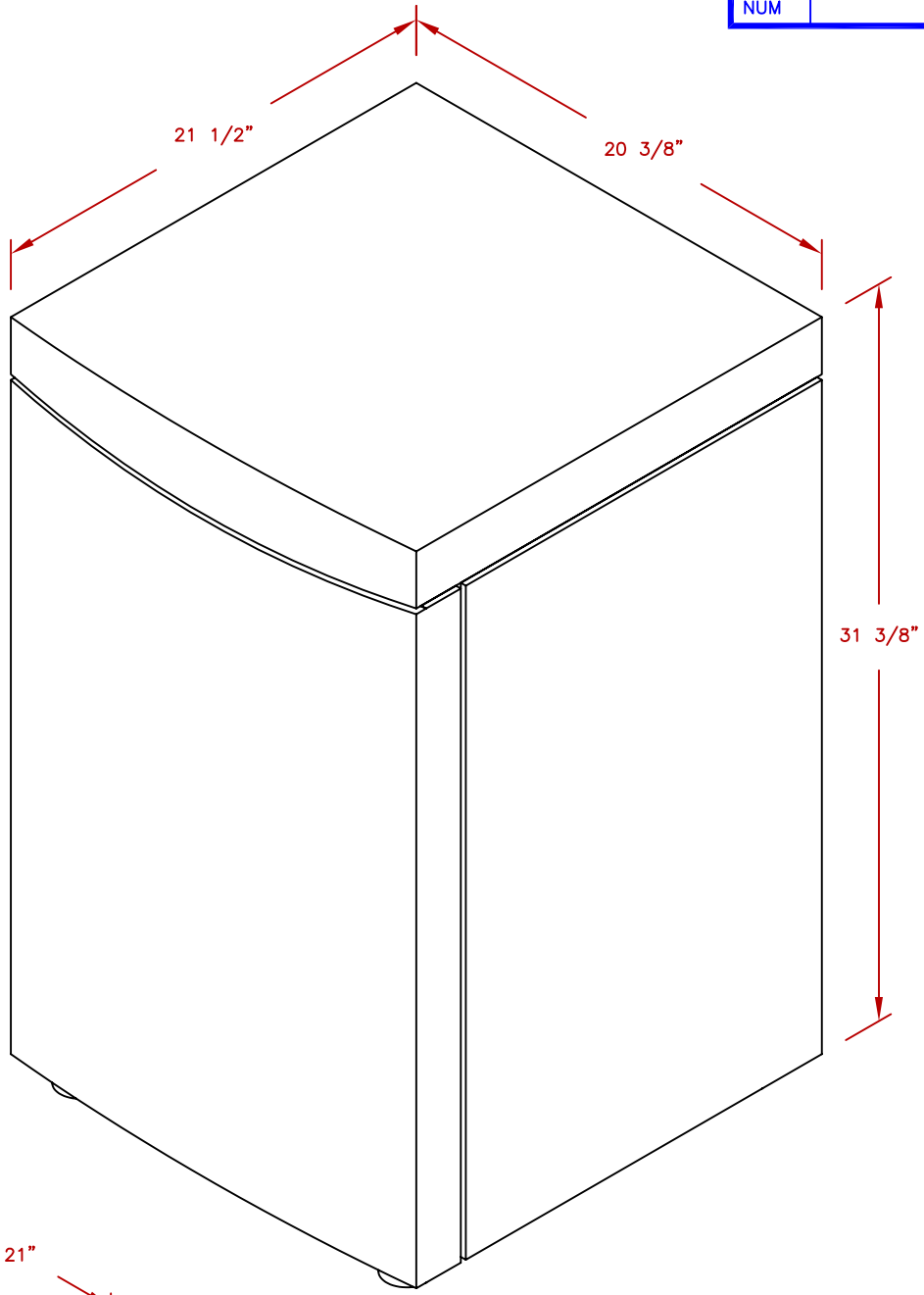
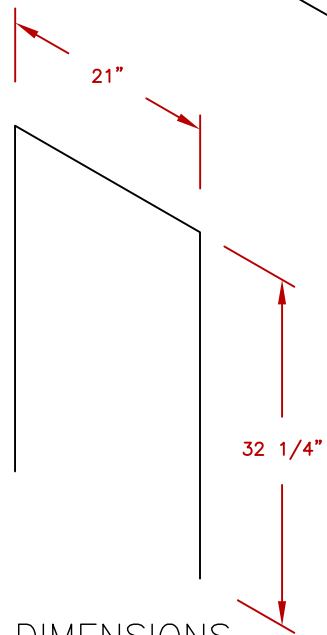


LINE	BBQ LINE
MODEL	SST REFRIGERATORS
NUM	



ISOMETRIC VIEW



CUT-OUT DIMENSIONS

NOTE:
DUE TO OUR CONTINUOUS IMPROVEMENT PROGRAM, ALL MODELS
AND SPECIFICATIONS ARE SUBJECT TO CHANGE WITHOUT NOTICE.



SCALE:	
REVISED	

TITLE	2017 BARBECUE LINE REFRIGERATOR & ICE MAKER SST REFRIGERATOR	
DWG NO.	BBQ09849P	DWG BY G.GARCIA
REV. DESCR.		DATE 12/15/16