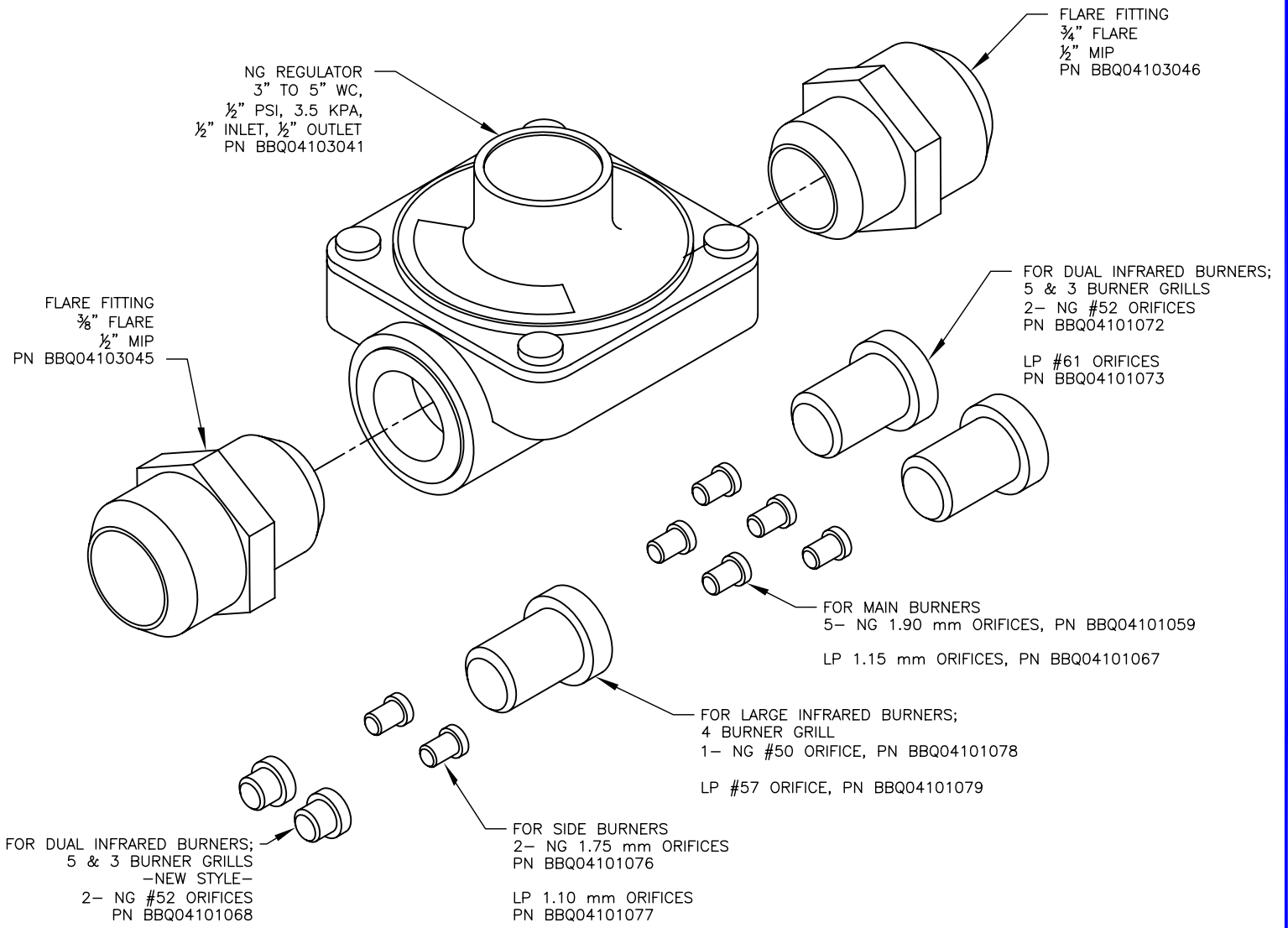

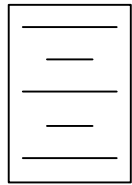


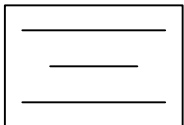
| | |
|-------|-------------------|
| LINE | BBQ LINE |
| MODEL | NG CONVERSION KIT |
| NUM | |



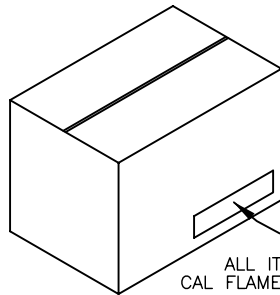
 **WARNING!** You must have an authorized service technician perform this procedure. If these instructions are not followed exactly, a fire or explosion may result causing property damage, personal injury or loss of life. California Acrylics Industries (C.A.I.) will not be held responsible for an improperly converted gas grill.



INSTALLATION INSTRUCTIONS



CONVERSION TO NG LABEL



ALL ITEMS CONTAINED IN CAL FLAME BOX W/PART NUMBER



TITLE
2017 BARBECUE LINE GRILL ACCESORIES NG CONVERSION KIT

SCALE:

DWG NO.
BBQ07101045

DWG BY
G.GARCIA

REVISED

REV. DESCR.

DATE
12/14/16

NOTE:
DUE TO OUR CONTINUOUS IMPROVEMENT PROGRAM, ALL MODELS AND SPECIFICATIONS ARE SUBJECT TO CHANGE WITHOUT NOTICE.