

Cal Flame[®]

Drop-in Sink

BBQ11963

United States and Canada

© 2019 LMS

Owner's Manual



www.calflamebbq.com

Table of Contents

I. Perform inventory	1
II. Sink cut-out template	3
III. Assembly and installation	4



WARNING:

This product can expose you to chemicals including Chromium (hexavalent compounds), which are known to the State of California to cause cancer and birth defects or other reproductive harm. For more information go to: www.p65Warnings.ca.gov

Copyright 2019 LMS. All rights reserved.
Duplication without written consent is strictly prohibited.

Cal Flame ® is a registered trademark.

Due to continuous improvement programs, all models, operation, and/or specifications are subject to change without prior notice.

LTR50001102, Rev. E
1/30/19




250-443


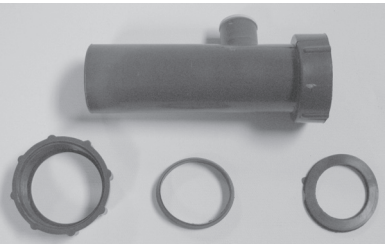


CONTACT INFORMATION

For customer service, please contact your authorized dealer immediately. If you need additional information and/or assistance, please contact:
Customer Service Department
1462 East Ninth Street
Pomona, CA 91766
Toll Free: 1-800-225-7727
Fax: 1-909-629-3890

www.calflamebbq.com

I. Perform inventory

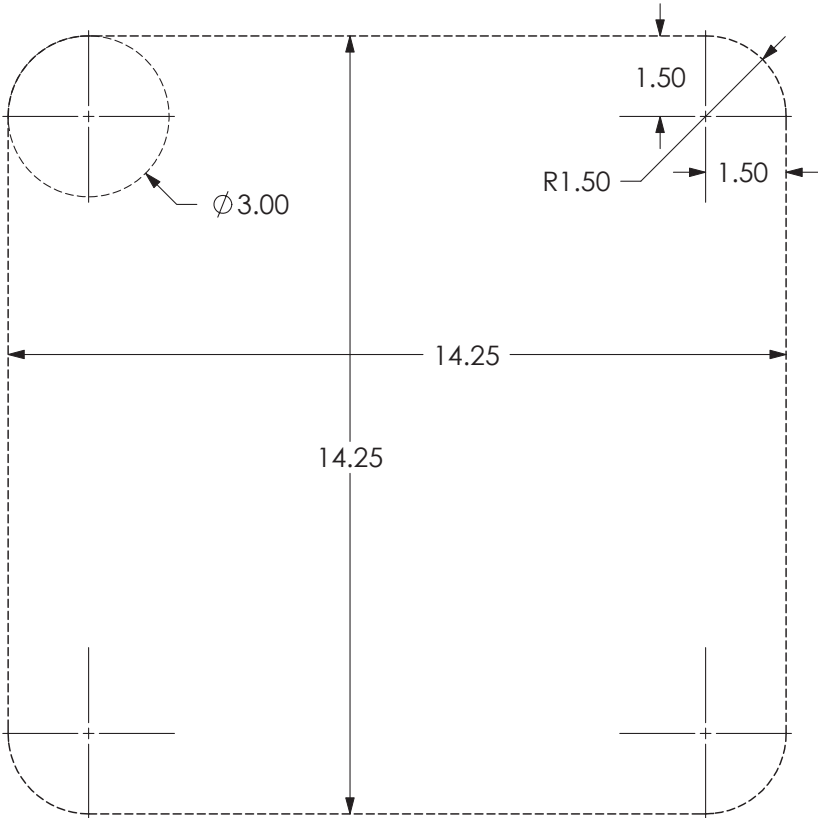
Part Group			Item
1	Drain		Drain stop Drain plate top Drain plate bottom Top gasket Bottom gasket Drain connector pin
2	Sink		Sink Hold-down clamps Clamp screws Cut-out template
3	Faucet		Faucet Gasket Tie down

4	Soap dispenser		Box with soap dispenser contains: Soap spout Dispenser base Bottle Gasket Tie down Plastic straw
5	Drain tube		Drain tube Drain tube connector Flat gasket Beveled gasket
6	Trap		Trap T Trap Trap flat gasket
7	Drain elbow		Drain elbow Drain elbow connector Beveled gasket

II. Sink cut-out template

Use the template provided with the sink to create the cut-out.

When you create the cut-out, it is important that you ensure the corners are rounded, as shown in the template, and not square.



III. Assembly and installation

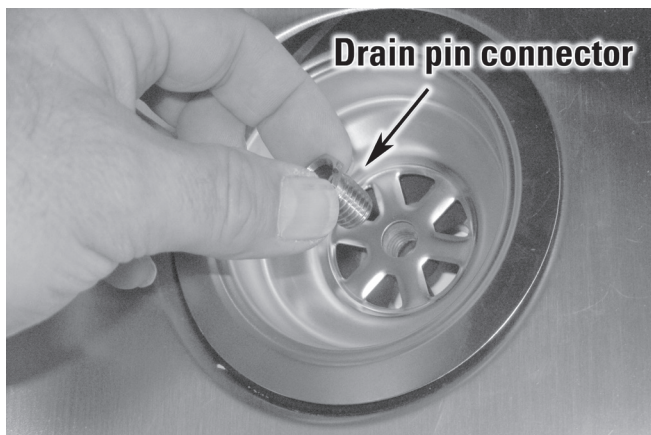
Note: Number in brackets refer to part groups listed in the parts table.

1. Attach drain assembly (1) to sink (2):
 - a. Set top gasket and drain plate top inside sink.



- b. Hold the drain plate bottom in place and insert the drain pin connector. Tighten in place using a coin or a washer. Center and adjust as needed.

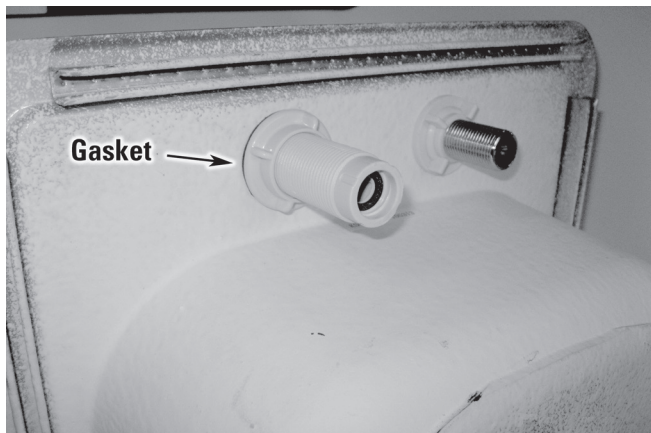




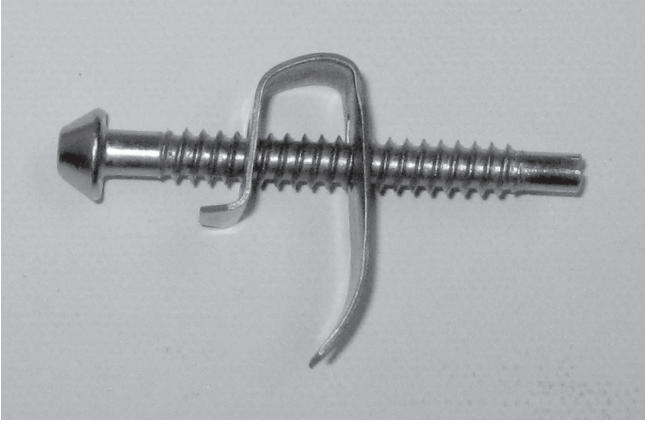
2. Attach faucet (3). Ensure gasket is directly under faucet base.



3. Attach base for the soap dispenser (4).



4. Install sink (2) in cut-out. Note: Sink has been removed for these pictures.
 - a. Place sink in cut-out.
 - b. Insert the screws in the hold-down clamps.



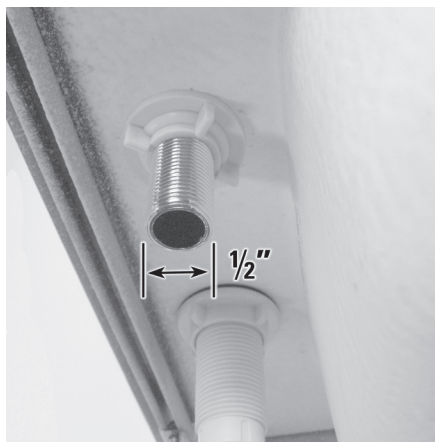
- c. Slide the clamps in place under the sink.



Use a total of 8 hold-down clamps.



- d. Tighten the clamps with a standard screwdriver.
5. Connect water line to the faucet. Depending on your water line, you may need an adaptor. The faucet requires a 1/2" connector.

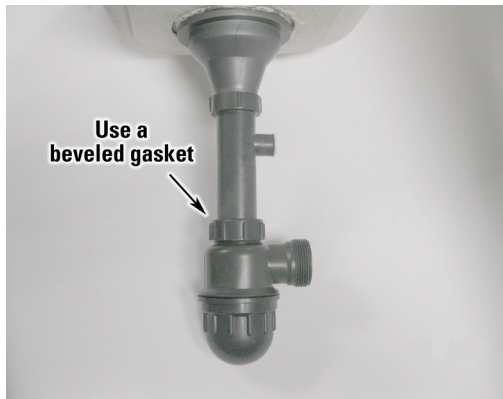


Note: An adaptor is not included with your sink. You will need to provide one for the size of your water line connection.

6. Attach drain tube (5) to drain.



7. Attach trap (6) to drain.



8. Attach drain elbow (7).



9. Attach the soap dispenser bottle under the sink.



10. Insert the straw in the dispenser head.



11. Place soap dispenser head in dispenser base.



Note: You can add liquid soap to the dispenser by pouring it directly into the dispenser base after the bottle has been attached.

Cal Flame