



A La Cart
A La Cart Plus
A La Cart Deluxe

United States and Canada

© 2018 LMS

Owner's Manual

Models:

BBQ10245-KDB

BBQ10345-KDB

BBQ10445-KDB



www.calflamebbq.com

Table of Contents

Assembling the A La Cart	1
Assembling the A La Cart Plus	6
Assembling the A La Cart Deluxe	17
Adjusting the Doors	30
Connecting Gas Lines	31
Limited Warranty	32



WARNING:

This product can expose you to chemicals including Chromium (hexavalent compounds), which are known to the State of California to cause cancer and birth defects or other reproductive harm. For more information go to: www.p65Warnings.ca.gov

Copyright 2018 LMS. All rights reserved. Duplication without written consent is strictly prohibited.

Cal Flame™ is registered trademark.

Due to continuous improvement programs, all models, operation, and/or specifications are subject to change without prior notice.

LTR50001091, Rev. E
10/23/18

Cart Assembly

Assembling the A La Cart

Parts List with Replacement Part Numbers

Before you begin, inventory the parts you received to make sure you have everything. After you assemble your cart, you will have six frame extensions you will not need. (If you assemble your cart configured for a five burner grill, for example, you will not need the frame extensions for a three or four burner grill.)

These instructions describe how to assemble the A La Cart, which can be configured for three-burner, four-burner, and five-burner grills. The example used in these instructions is a three-burner cart.



Left Side
BBQ10000511

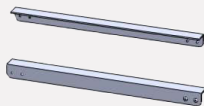


Right Side
BBQ10000510



Wheels, Set of 2
BBQ10000506

3 Burner Frame Extensions

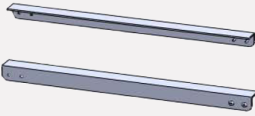


Lower Front and Rear
BBQ10000501



Top Rear
BBQ10000502

4 Burner Frame Extensions

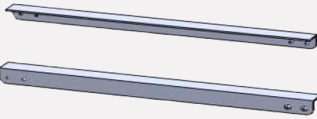


Lower Front and Rear
BBQ10000507



Top Rear
BBQ10000508

5 Burner Frame Extensions



Lower Front and Rear
BBQ10000512



Top Rear
BBQ10000513



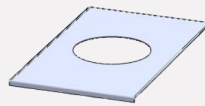
Inner Front Extension
BBQ10000503



Outer Front Extension
BBQ10000504



Side Shelves, Set of 2
BBQ10000517

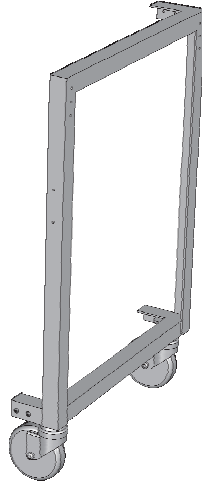


Propane Tank Holder
BBQ10000500



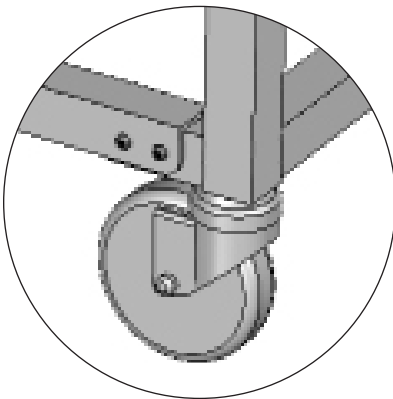
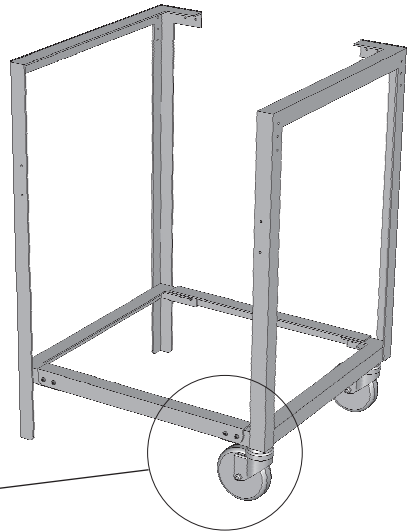
Optional Basket(s)
BBQ10000330

1. Attach the two cart wheels to the right side frame piece.

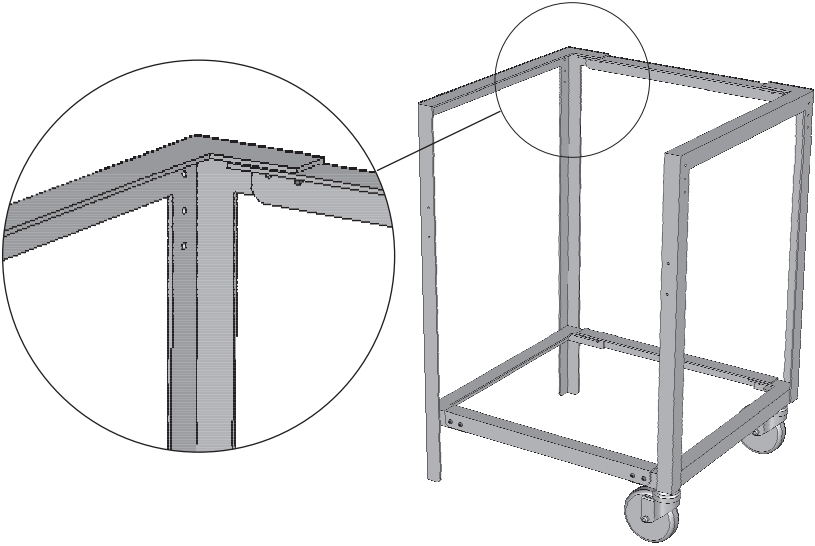


2. Attach the left frame piece to the right frame piece with the front and back bottom extensions.

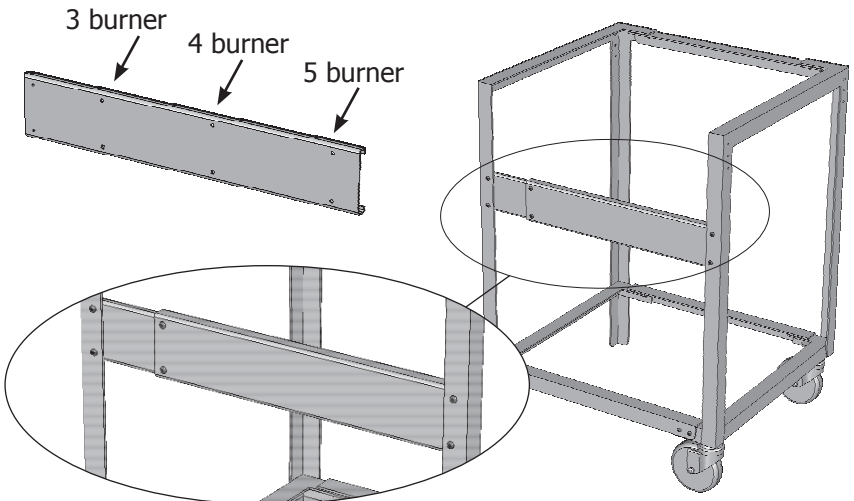
Attach the extensions to the outside of the frames as shown below using the provided metal screws.



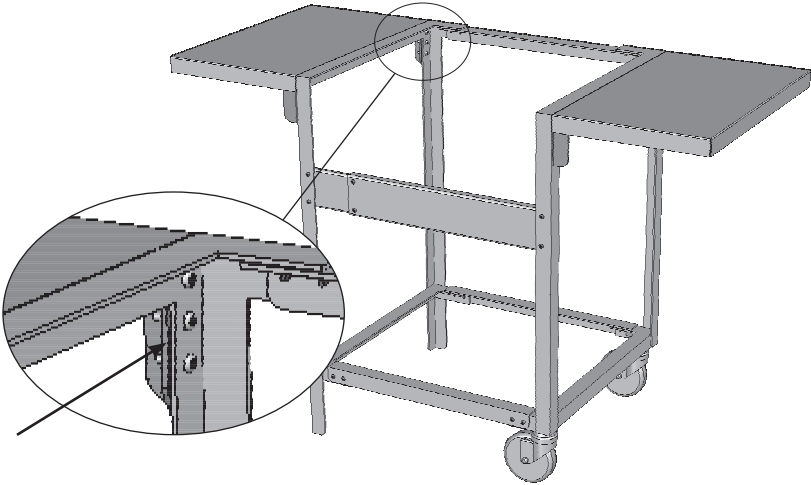
3. Attach the top rear extension. Attach the extension to the inside of the frames as shown below using the provided metal screws.



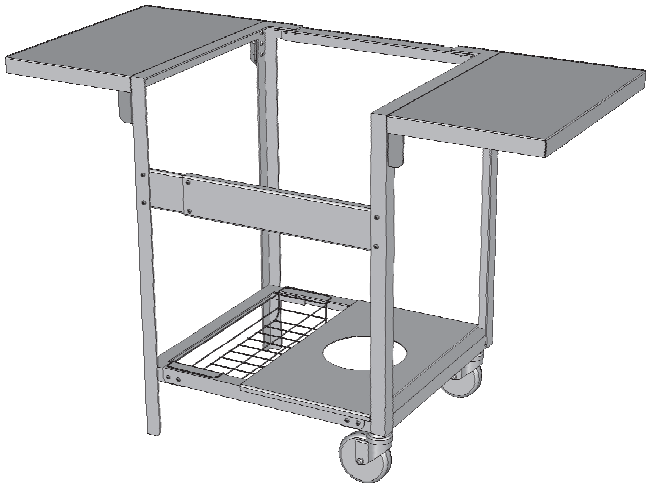
4. Connect the outer and inner extensions according to the width of your cart's size and attach them to the left and right frame pieces. Attach the extensions to the inside of the of the frame. Use screws and nuts.



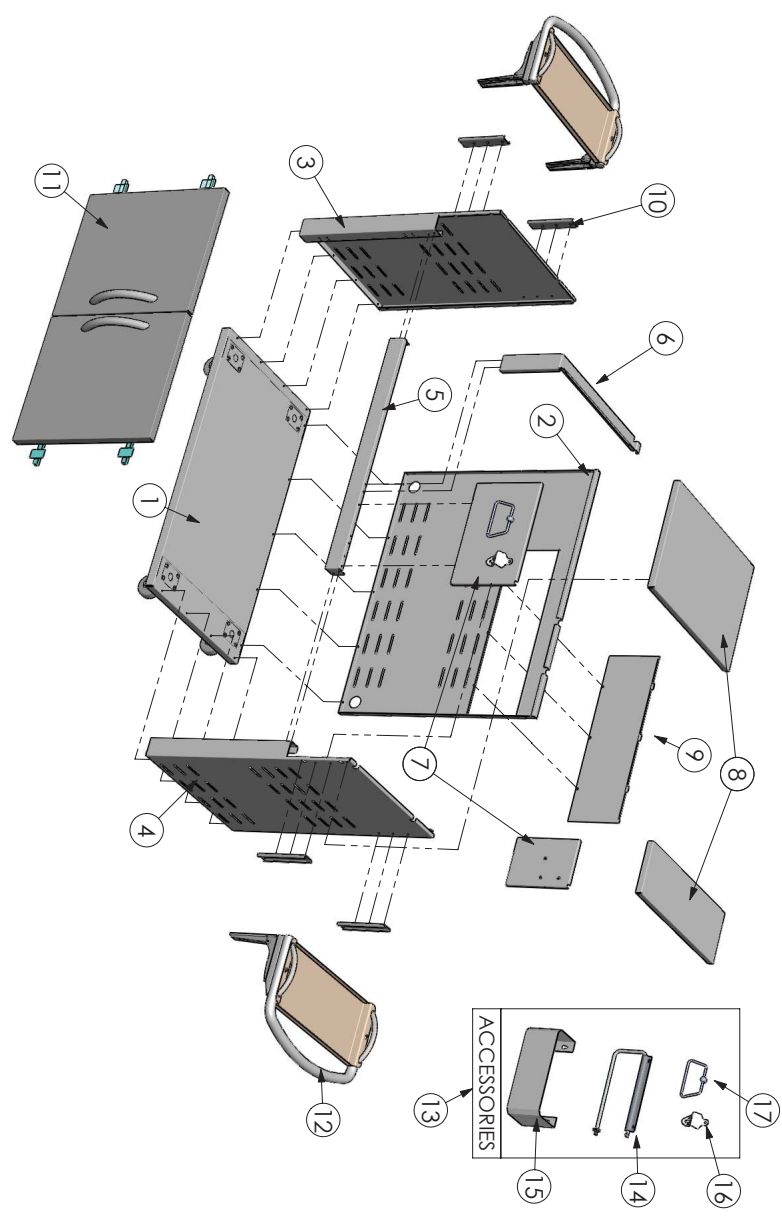
5. Attach shelves and shelf supports to both sides of the cart using screws and nuts. Place the shims between the cart side and the shelf so that they will be held in place by the middle and bottom screws.



6. Set the propane tank holder and the optional basket in place.



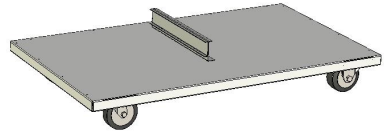
Assembling the A La Cart Plus



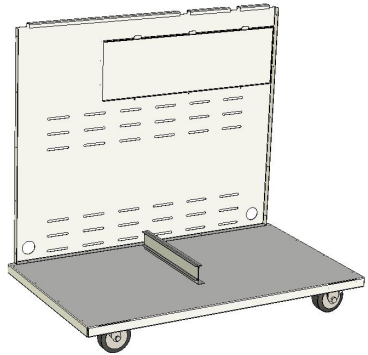
Item	Description	Part Number	Quantity
1	Base	BBQ09345100	1
2	Rear Panel	BBQ09345110	1
3	Left Side	BBQ09345120	1
4	Right Side	BBQ09345121	1
5	Bridge Support	BBQ09345122	1
6	L Support	BBQ09345125	1
7	Front Body Plate 3 Burner Grill	BBQ09305-KDB	1
7	Front Body Plate 4 Burner Grill	BBQ09306-KDB	1
8	Top Filler Piece 3 Burner Grill	BBQ09303-KDB	1
	Top Filler Piece 4 Burner Grill	BBQ09304-KDB	1
9	Rear Plate	BBQ09345112	1
10	Shelf Brackets	BBQ09345130	4
11	Doors	BBQ09345141	2
12	Shelves	BBQ09300530	2
Accessory set			
13	Paper Towel Holder, Spice Rack, Bottle Opener, Towel Holder	BBQ09910	1
Accessory set consists of:			
14	Paper Towel Holder	BBQ08000500	1
15	Spice Rack	BBQ07846P-18	1
16	Bottle Opener	BBQ09911	1
17	Towel Holder	BBQ09912	1

NOTE: A three burner grill cart is used as an example to describe the assembly of the A La Cart Plus. Differences between the three cart sizes will be pointed out in these instructions.

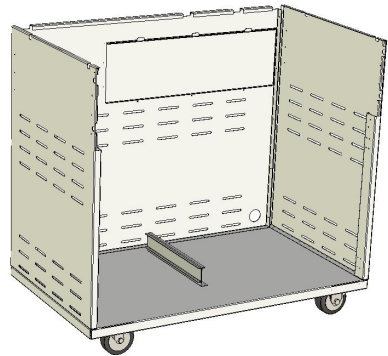
1. Attach the casters to the base (if not already attached).



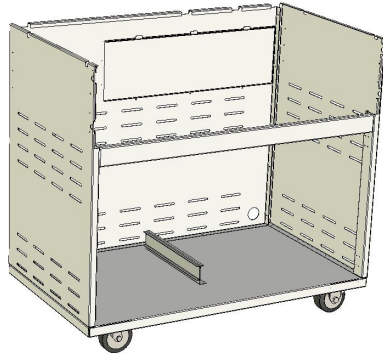
2. Attach the back panel to the base. Attach rear plate to the back panel (if not already attached).



3. Attach the side panels to the base and the back panel.

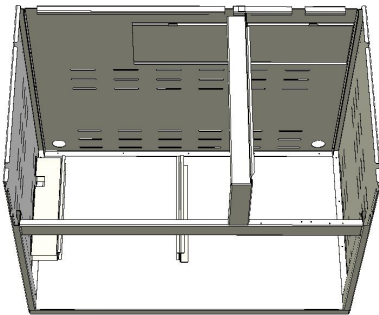


- Attach the bridge support to the side panels.

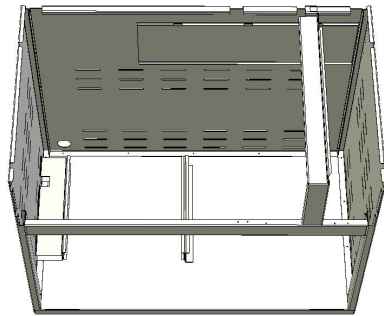


Steps 5 through 7 are for three burner and four burner grills only. If you have a five burner grill, skip to step 9.

- Attach the L support to the bridge assembly and rear panel as shown below.



Three burner grill

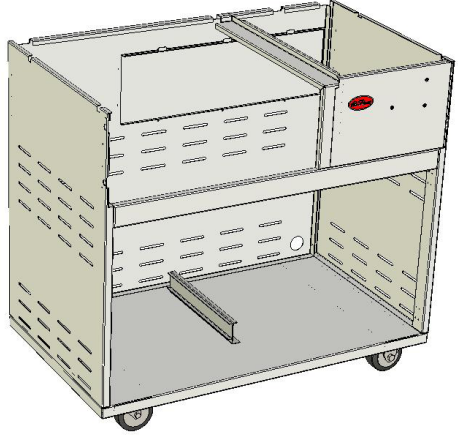


Four burner grill

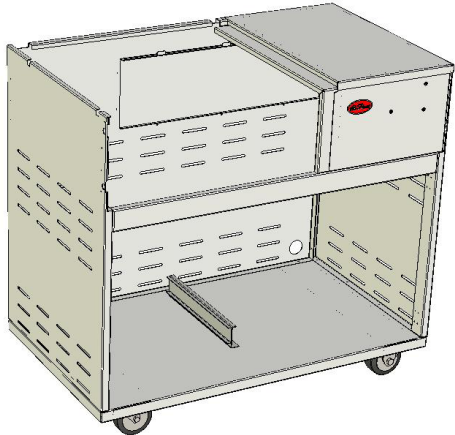
Five burner grill carts do not use the L support, front body plate or top filler piece. These pieces may be discarded.

Note: The A La Cart Plus comes with all the parts to assemble a three, four, or five burner grill cart. You will only need one flat body panel and one body filler for the side burner cut-out. When your grill is fully assembled, you may dispose of the extra pieces as you see fit.

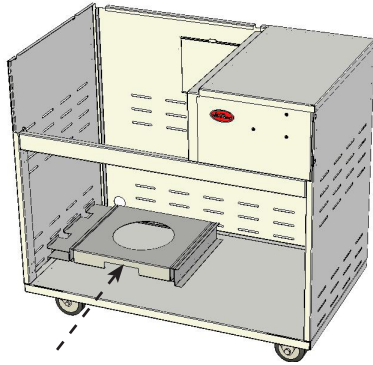
6. Attach the front body plate.



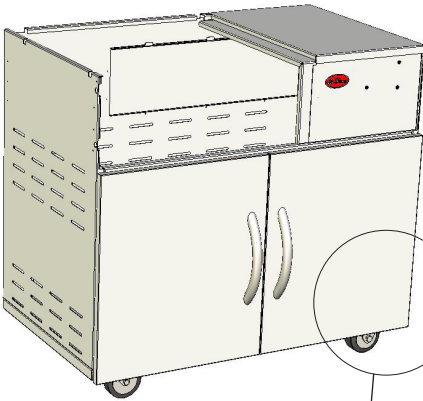
7. Attach the top filler piece.



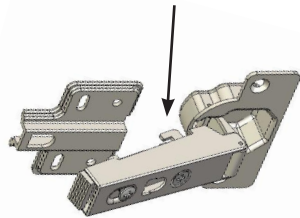
8. Slide in the propane tank holder.



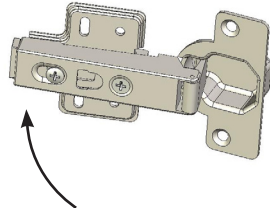
9. Attach front doors.



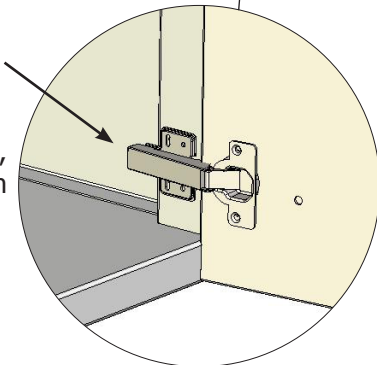
Slide hooks under catch plate.



Snap the hinge in place.

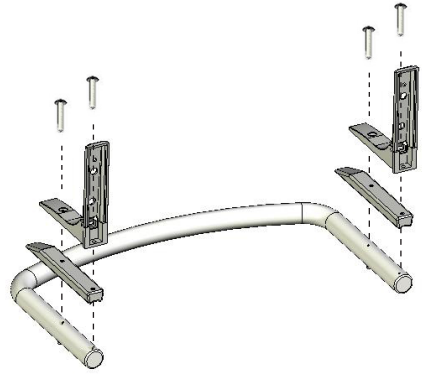


To release hinge, press the tab on the end.

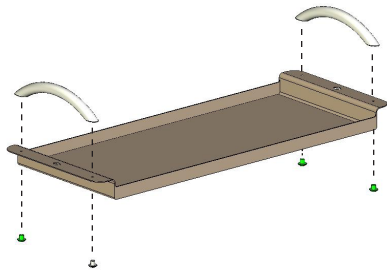


10. Assemble the shelves.

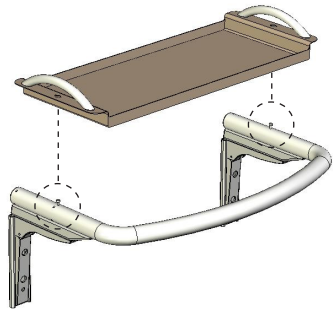
- a. Attach the shelf spacers and the hinges to the shelf arm.



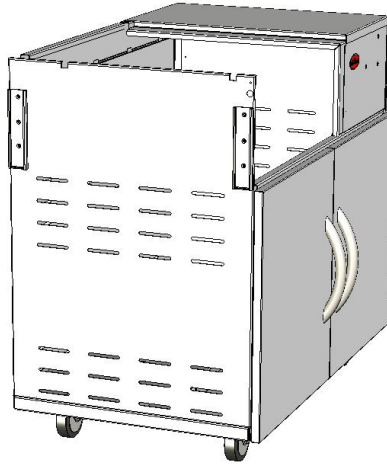
- b. Attach the handles to the tray.



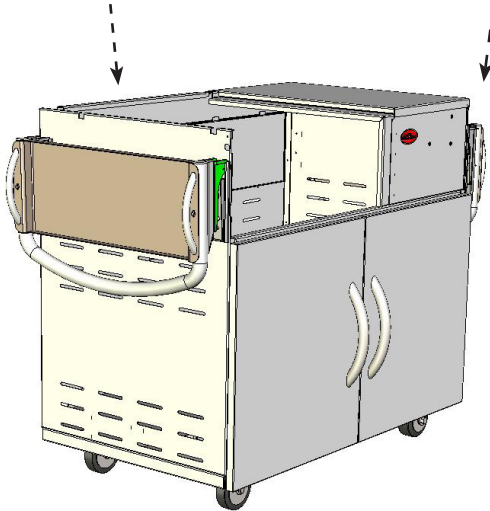
- c. Set each tray on the shelf arms. Turn the adjustable screws to hold the tray in place.



12. Attach shelf brackets.



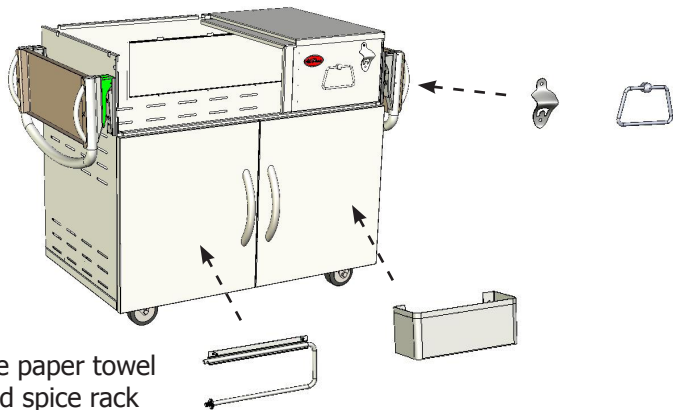
13. Slide in shelves.



14. Attach accessories.

Three and four burner grills

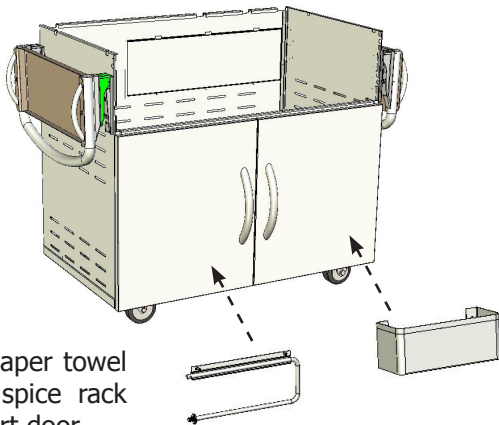
Attach the bottle opener and towel hanger as shown.



Attach the paper towel holder and spice rack inside the cart door.

Five burner grill

The five burner grill does not have locations for installing the towel hook and bottle opener.



Attach the paper towel holder and spice rack inside the cart door.

15. Set the grill in the cart.

You will need a second person to help you to avoid damaging the grill, the transformer, or the grill cart.

If your Cal Flame barbecue grill has lights and a convection fan, you will need to attach the transformer to the under side of the grill before it goes in the cart. Attaching the transformer is described in the owner's manual that was sent with your barbecue grill.

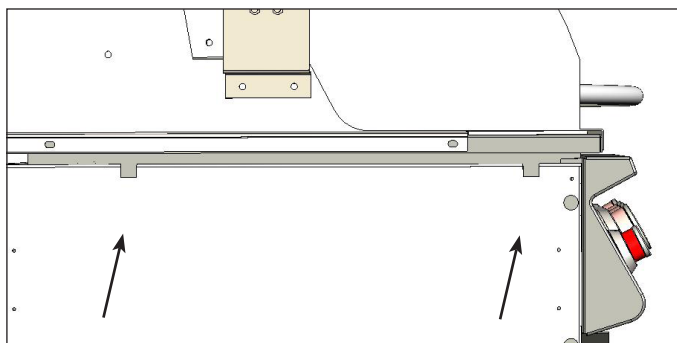
Remove the drip tray before you begin.

Pay careful attention to the location of gas lines. Gas lines should be routed away from sources of heat and should make as few bends as possible.

Be very careful not to kink the gas line when lowering the grill in place.

Be careful when lowering the grill in place not to allow your fingers to get trapped.

There are two notches on the left side of the cart. They are there to accommodate two screws in the grill.

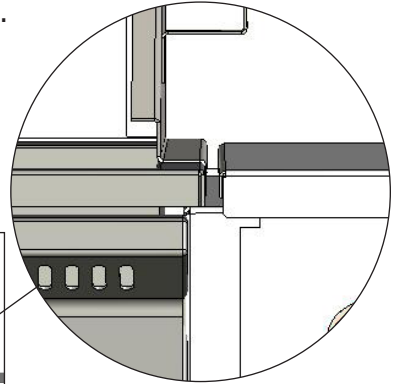
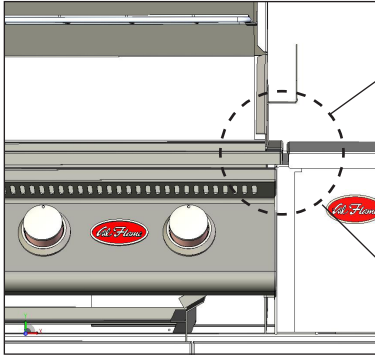


Left Side View

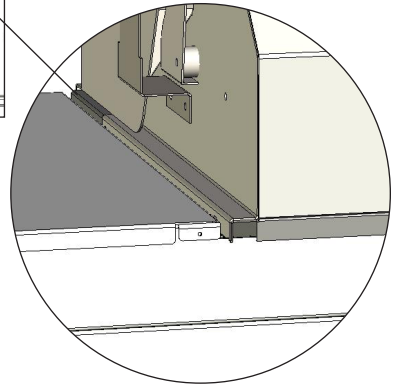
Assembling the A La Cart Plus

Make sure the grill is properly seated.

The right side lip of the grill will be more or less flush with the top spacer piece.

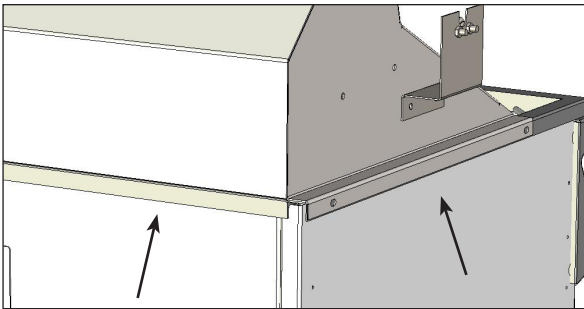


Front View

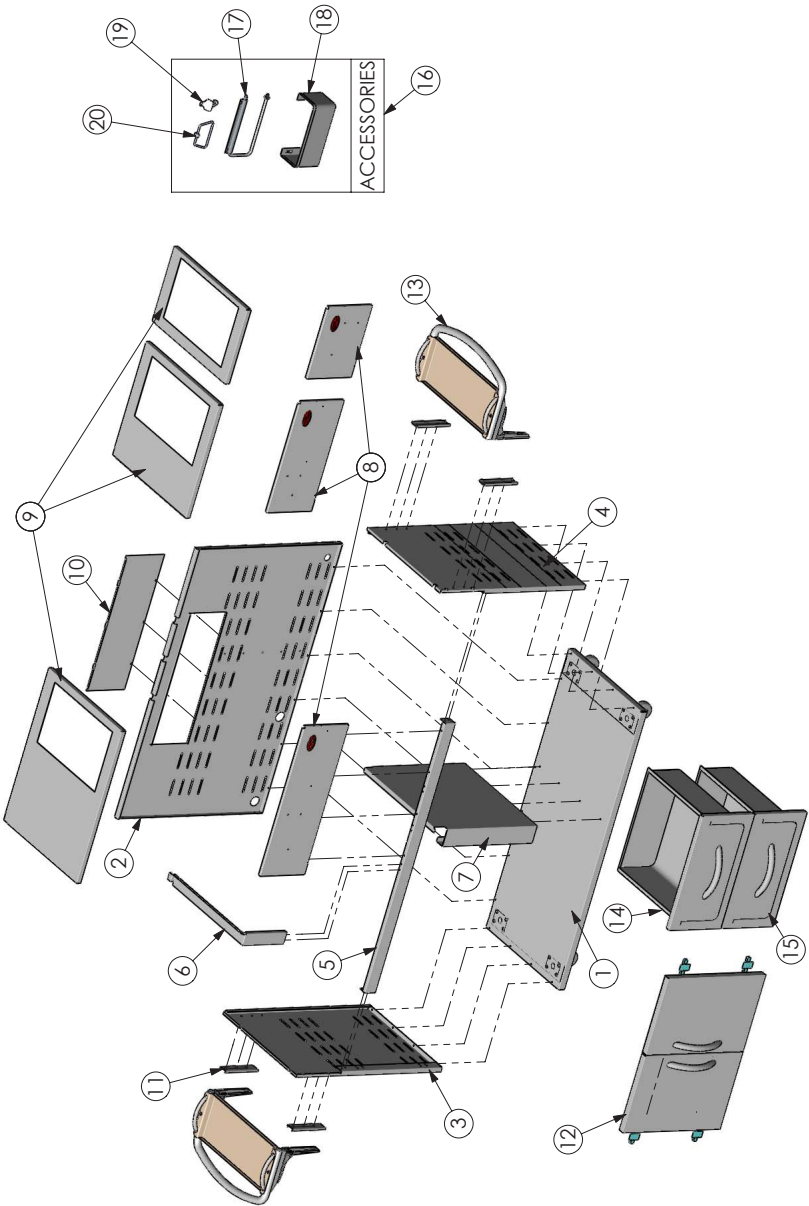


Rear View

The left side and rear lips of the grill will go over the top of the side and rear panels, as shown in the figure below.



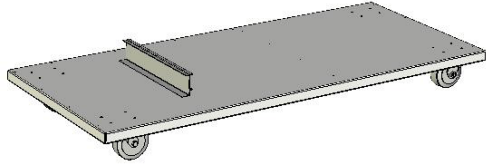
Assembling the A La Cart Deluxe



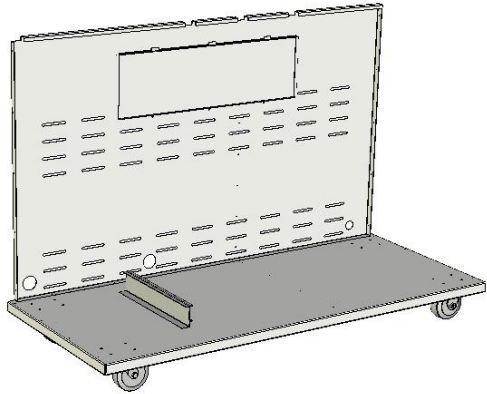
Item	Description	Part Number	Quantity
1	Base	BBQ09345200	1
2	Rear Panel	BBQ09345210	1
3	Left Side	BBQ09345220	1
4	Right Side	BBQ09345221	1
5	Bridge Support	BBQ09345222	1
6	L Support	BBQ09345125	1
7	Divider Panel	BBQ09345228	1
8	Front Body Plate 3 Burner Grill	BBQ09305S-KDB	1
	Front Body Plate 4 Burner Grill	BBQ09306S-KDB	1
	Front Body Plate 5 Burner Grill	BBQ09307S-KDB	1
9	Top Filler Piece 3 Burner Grill	BBQ09303S-KDB	1
	Top Filler Piece 4 Burner Grill	BBQ09304S-KDB	1
	Top Filler Piece 5 Burner Grill	BBQ09308S-KDB	1
10	Rear Plate	BBQ09345112	1
11	Shelf Brackets	BBQ09345130	4
12	Doors	BBQ09345144	2
13	Shelves	BBQ09300530	2
14	Drawer, Upper	BBQ09906-KDB	1
15	Drawer, Lower	BBQ09907-KDB	1
Accessory set			
16	Paper Towel Holder, Spice Rack, Bottle Opener, Towel Holder	BBQ09910	1
Accessory set consists of:			
17	Paper Towel Holder	BBQ08000500	1
18	Spice Rack	BBQ07846P-18	1
19	Bottle Opener	BBQ09911	1
20	Towel Holder	BBQ09912	1

NOTE: A three burner grill cart is used as an example to describe the assembly of the A La Cart Deluxe. Differences between the three cart sizes will be pointed out in these instructions.

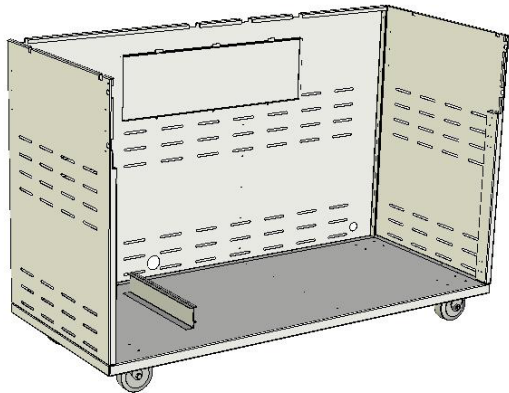
1. Attach the casters to the base (if not already attached).



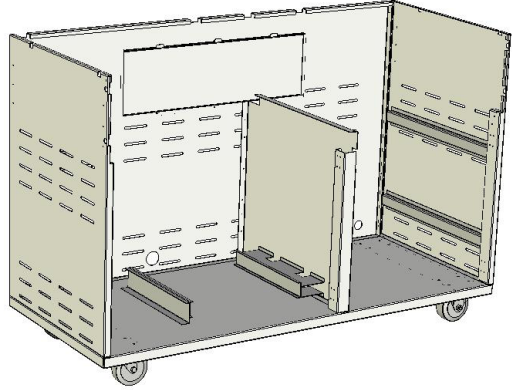
2. Attach the back panel to the base. Attach the rear plate to the back panel (if not already attached).



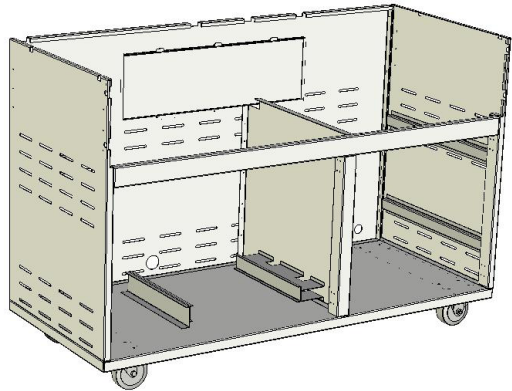
3. Attach the side panels to the base and the back panel.



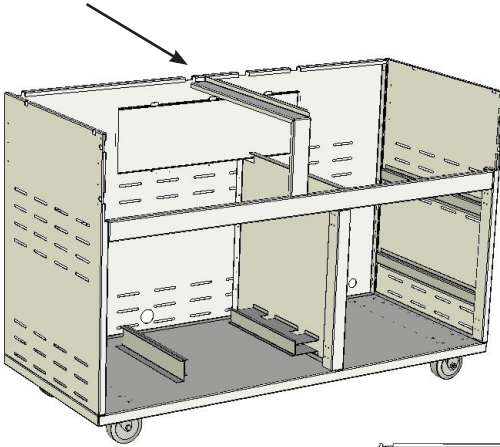
4. Attach the divider panel to the base and back panel.



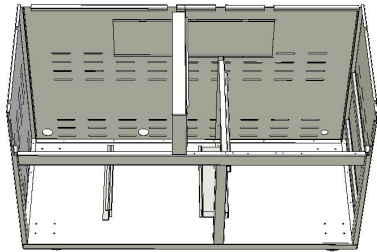
5. Attach the bridge support to the side panels.



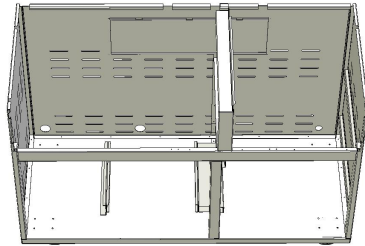
6. Attach L support to the bridge assembly and rear panel. Note the location of the L support for each grill size.



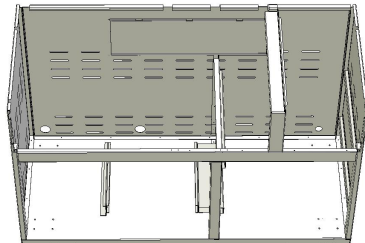
Three burner grill



Four burner grill

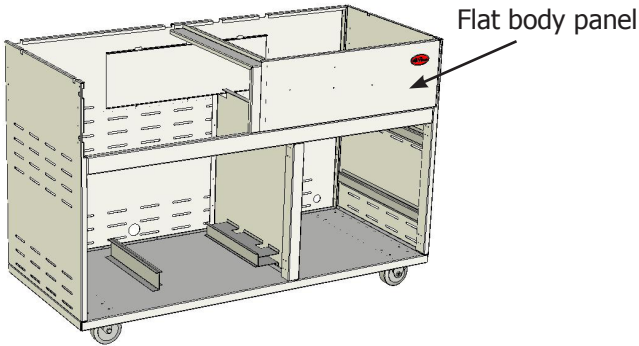


Five burner grill

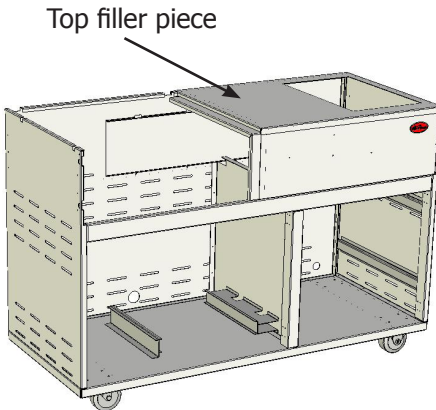


Note: The A La Cart Deluxe comes with all the parts to assemble a three, four, or five burner grill cart. You will only need one flat body panel and one body filler for the side burner cut-out. When your grill is fully assembled, you may dispose of the four extra pieces as you see fit.

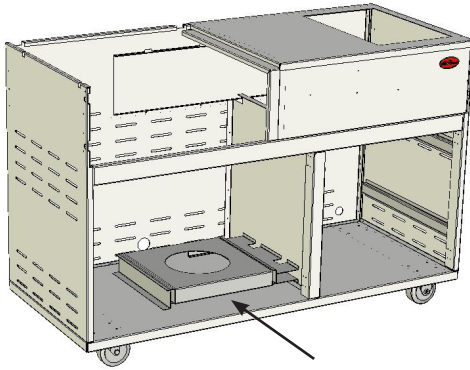
7. Attach the flat body panel.



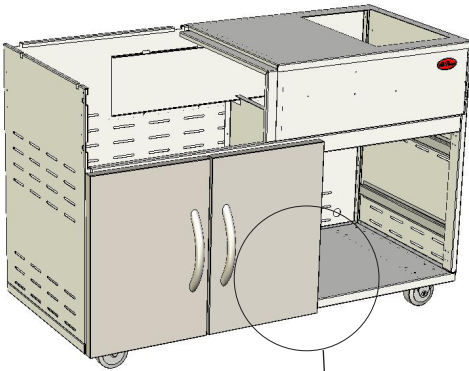
8. Attach the top filler piece with the side burner cut-out.



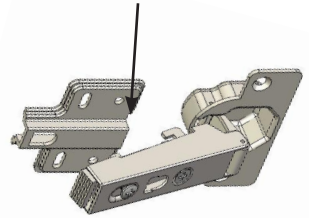
9. Slide in the propane tank holder.



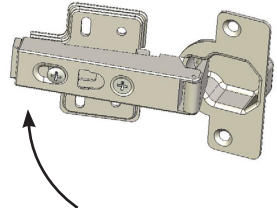
10. Attach the doors.



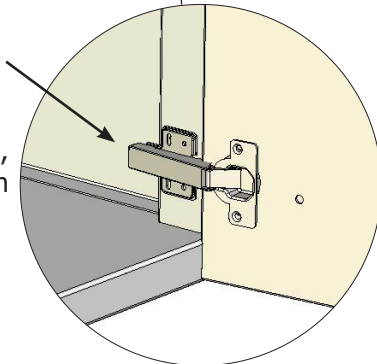
Slide hooks under catch plate.



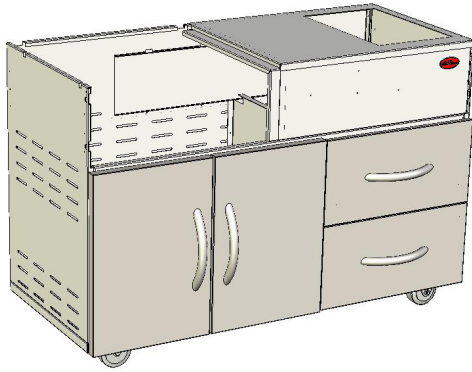
Snap the hinge in place.



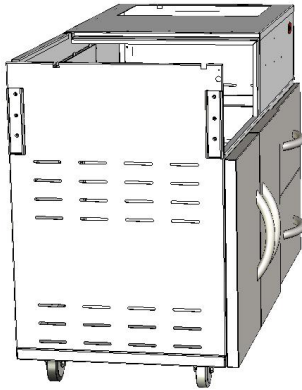
To release hinge, press the tab on the end.



11. Slide in the drawers on their runners.

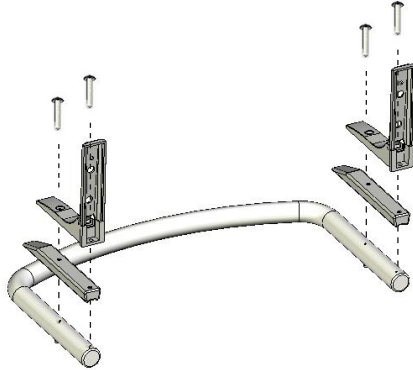


13. Attach the shelf brackets on both sides of the cart.

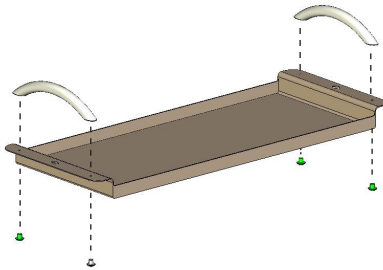


14. Assemble the shelves.

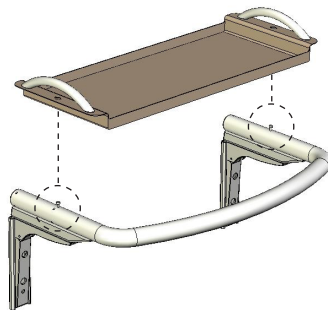
- a. Attach the shelf spacers and the hinges to the shelf arm.



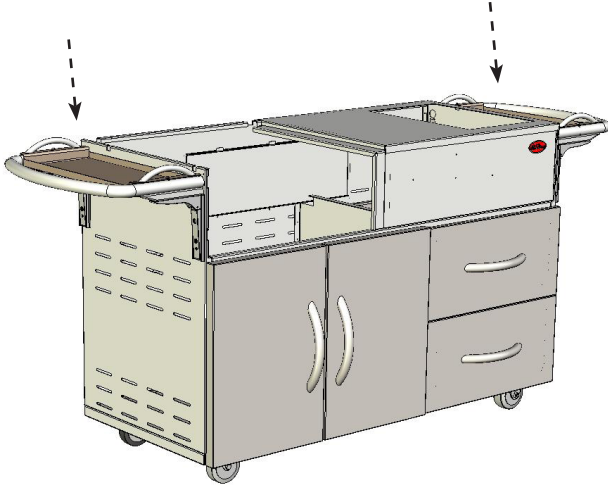
- b. Attach the handles to the tray.



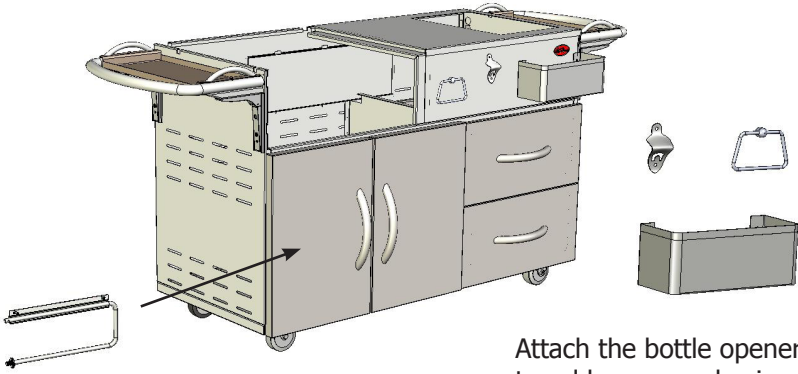
- c. Set each tray on the shelf arms. Turn the adjustable screws to hold the tray in place.



- Slide the shelves into the shelf brackets.

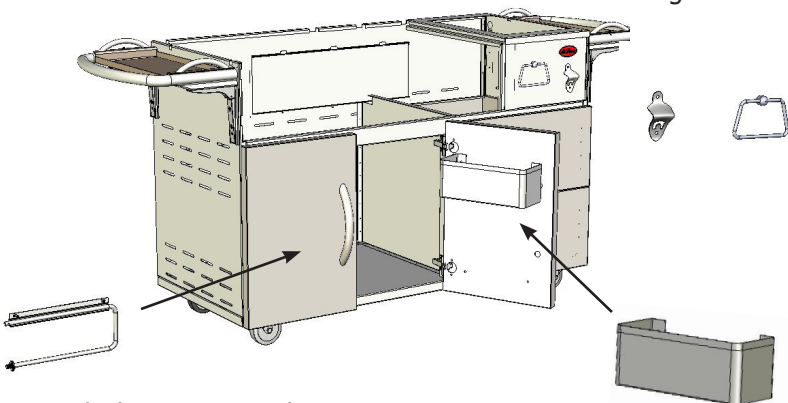


16. Attach the accessories.

Three and four burner grills

Attach the paper towel holder inside the cart door.

Attach the bottle opener, towel hanger and spice rack as shown.

Five burner grill

Attach the paper towel holder inside the cart door.

Attach the bottle opener and towel hanger as shown.

Attach the spice rack inside the cart door.

17. Set the grill in the cart.

You will need a second person to help you to avoid damaging the grill, the transformer, or the grill cart.

If your Cal Flame barbecue grill has lights and a convection fan, you will need to attach the transformer to the under side of the grill before it goes in the cart. Attaching the transformer is described in the owner's manual that was sent with your barbecue grill.

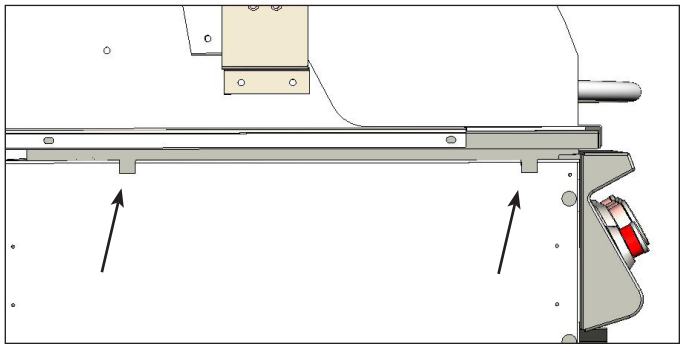
Remove the drip tray before you begin.

Pay careful attention to the location of gas lines. Gas lines should be routed away from sources of heat and should make as few bends as possible.

Be very careful not to kink the gas line when lowering the grill in place.

Be careful when lowering the grill in place not to allow your fingers to get trapped.

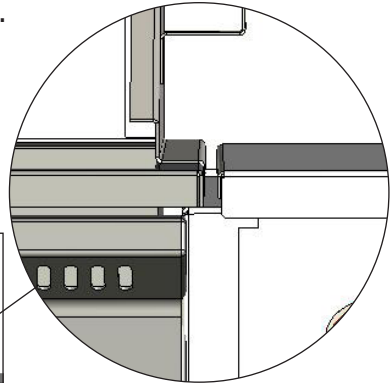
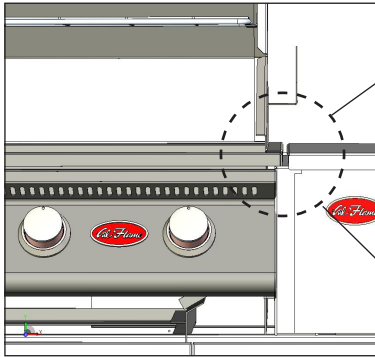
There are two notches on the left side of the cart. They are there to accommodate two screws in the grill.



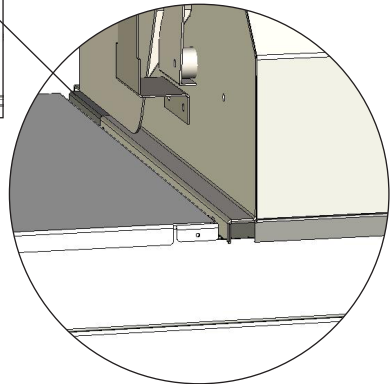
Left Side View

Make sure the grill is properly seated.

The right side lip of the grill will be more or less flush with the top spacer piece.

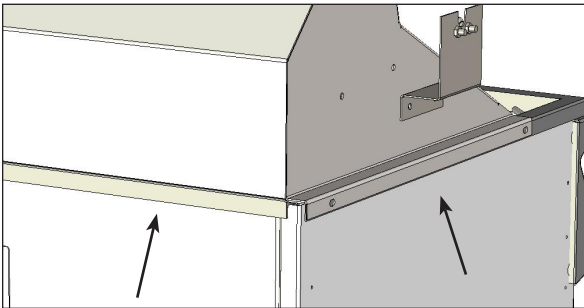


Front View



Rear View

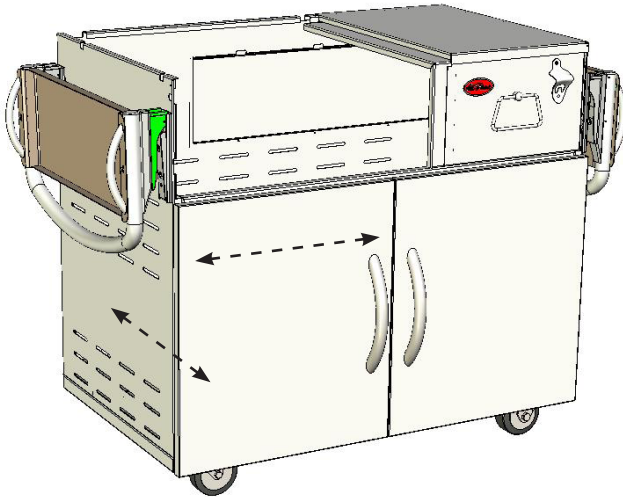
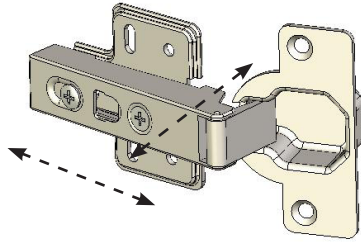
The left side and rear lips of the grill will go over the top of the side and rear panels, as shown in the figure below.



Adjusting the Doors

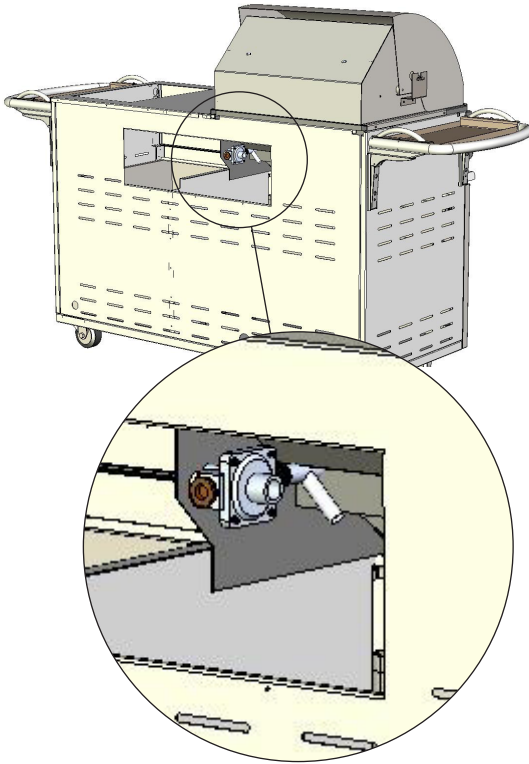
To adjust door level, remove the cover on the hinge protecting the adjustment screws.

Referring the figure below, the screw on the left moves the door away from and closer to the cart. The screw on the right adjusts the height and level of the door.



Connecting Gas Lines

Remove the rear plate to access the gas connections at the back of the grill. Refer to the grill owner's manual for description of connecting both LP and NG gas sources.



LIMITED WARRANTY

All Cal Flame models are manufactured with the highest quality appliances and are warranted to be free from defects in material and workmanship at time of delivery.

LMS warrants grill carts and associated hardware from deterioration, corrosion, and defects in material and workmanship for a period of 90 days.

Extent of Warranty

This limited warranty is only valid on Cal Flame grill carts delivered in the United States or Canada and extends through the selling dealer to the original purchaser. This warranty becomes valid at time of purchase and ends either by specified time-frame listed above or upon owner transfer or relocation.

Warranty Performance

In the event of a malfunction or defect covered under the terms of this warranty, contact the selling dealer. In the event the consumer is unable to obtain satisfactory customer service from the selling dealer or service agent, written notification must be given to the LMS Customer Relations Department within 30 days of the reported failure. There will be no charge for parts on a covered item. Cost of labor is the responsibility of the owner. Shipping and handling charges will apply to all warranted replacement parts. The service agent may assess a reasonable travel or mileage charge per service call. If LMS determines that repair of a covered item is not feasible, LMS reserves the right to replace the defective merchandise with merchandise equal in value to the original purchase price. Warranty repair and / or replacement is the sole discretion of LMS and this warranty does not cover costs therein, including but not limited to: freight, removal, re-installation, etc. This warrant is non-transferable and may not be extended beyond the above mentioned time frames under any circumstances, by any of LMS's representatives.

Warranty Limitations

This warranty is void if the grill cart has been subject to negligence, alteration, misuse, repairs, dings, dents, scratches, or incorrect and / or prohibited applications, as specified in the owner's manual. Service by non-LMS authorized representatives, acts of God and other cases beyond the control of LMS are not covered by this warranty. Please

refer to the owner's manual for examples of exclusions and common acts invalidating this warranty. This limited warranty applies only to grill carts normally used for personal, family, or household purposes and specifically excludes rental or commercial applications. This warranty does not apply to labor charges. This limitation is retroactive and applies to all grill carts and hardware manufactured from 2000 and hereafter.

Disclaimers

LMS shall not be liable for loss of use of the grill cart and related hardware or other incidental or consequential costs, expense or damages. Any implied warranty shall have duration equal of the applicable warranty stated above.

Legal Remedies

This limited warranty gives you specific legal rights. You may have other rights, which may vary from state to state.

Customer Service

For customer service, contact the authorized selling dealer immediately. If you need additional information or assistance, please contact the LMS Customer Relations Department at 1462 E. Ninth St., Pomona CA 91766 or call (800) 225-7727.

Cal Flame[®]

LMS Customer Service Department
1462 East Ninth Street
Pomona, CA 91766
Toll Free: 1-800-225-7727
Fax: 1-909-629-3890

www.calflamebbq.com