

Cal Flame
A Division of LLC, Inc.

United States and Canada

GRAND PAVILION SERIES
ENTERTAINMENT SYSTEM



Canopy Assembly and Wiring Instructions1

Step 1: Install the posts 1

Step 2: Assembling and wiring the canopy rafters 2

Step 3: Placing the canopy on the posts 5

Wiring Diagrams6

Power supply wiring diagram 6

Audiovisual system wiring diagram 7

DVD / stereo system wiring diagram 8

Copyright 2008-2009 LMS, Inc. All rights reserved. Duplication without written consent is strictly prohibited.

Cal Flame ® is a registered trademark.

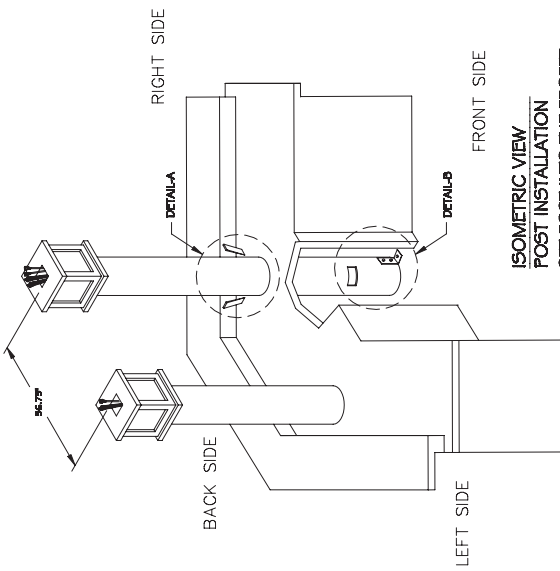
Due to continuous improvement programs, all models, operation, and/or specifications are subject to change without prior notice.

LTR20091080, Rev. A
3/2/09

<p>CONTACT INFORMATION</p> <p>For customer service, please contact your authorized dealer immediately. If you need additional information and/or assistance, please contact: Customer Service Department 1462 East Ninth Street Pomona, CA 91766 Toll Free: 1-800-CAL-SPAS Fax: 1-909-629-3890</p> <p>www.calspas.com</p>
--

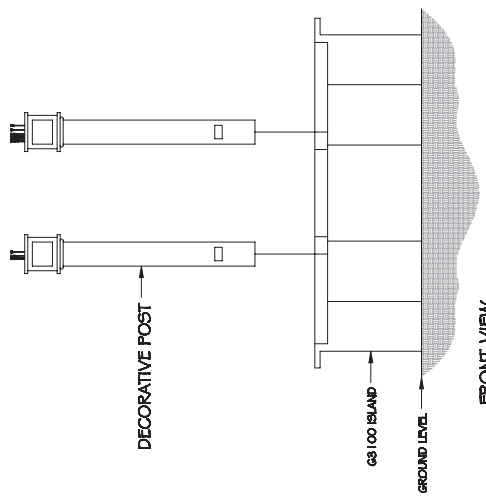
Canopy Assembly and Wiring Instructions

Step 1: Install the posts



**ISOMETRIC VIEW
POST INSTALLATION**

SET POST INTO THE PROPER ANCHORING APPARATUS THRU THE TWO HOLES IN THE ISLAND COUNTER TOP. MAKE SURE THE TWO POSTS ARE INSTALLED LEVEL AND PLUMB.



**FRONT VIEW
POST INSTALLATION**

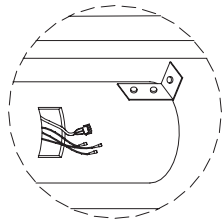
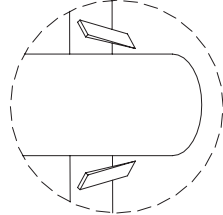
DECORATIVE POST

68 1/2\"/>

GROUND LEVEL

**DETAIL-A
SHIM POST**

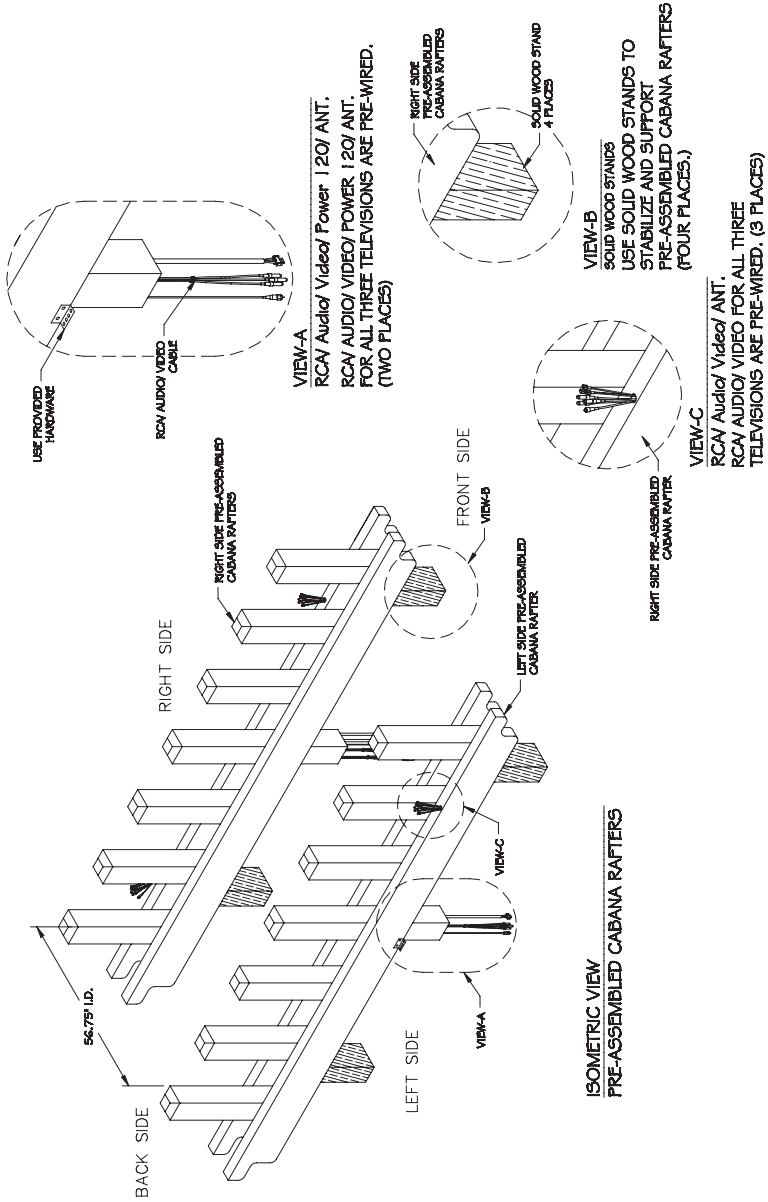
MAKE SURE THE POSTS ARE INSTALLED LEVEL AND PLUMB USING SHIMS.

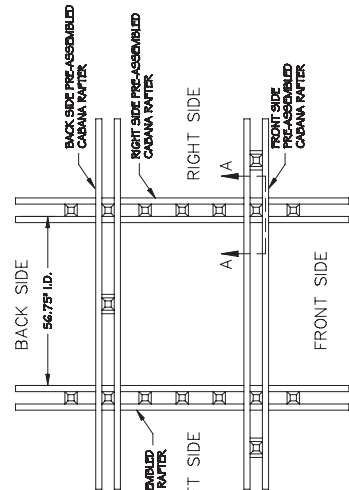


**DETAIL-B
"L" BRACKET CONNECTION**

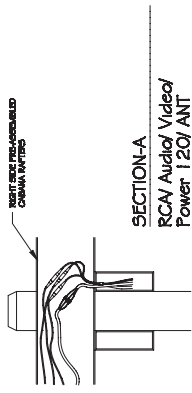
USE "L" BRACKET TO MOUNT POST TO THE FLOOR BOARD.

Step 2: Assembling and wiring the canopy rafters

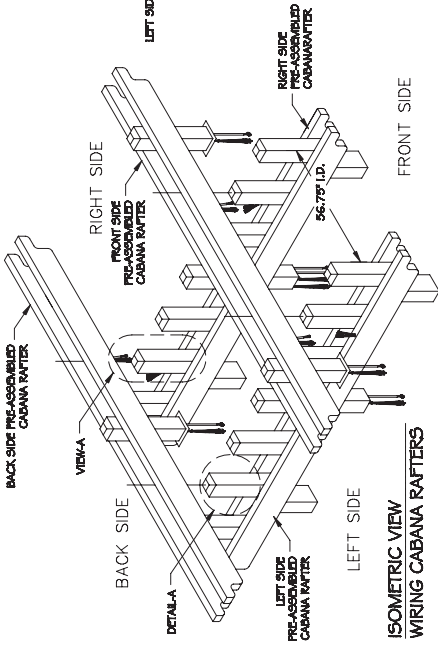




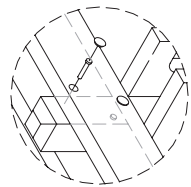
TOP VIEW
WIRING CABANA RAFTERS



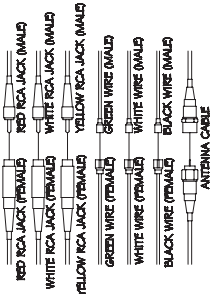
SECTION-A
RCA/ Audio/ Video/ Power 120/ ANT
AFTER MAKING CONNECTION AS SHOWN IN VIEW-A FOR THE RCA/ AUDIO/ VIDEO/ POWER 120 ALL WIRES AND CABLES SHOULD BE CAREFULLY PLACED INSIDE OF BEAM AS SHOWN.



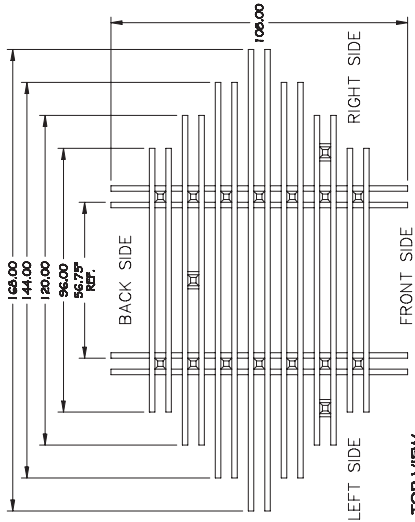
ISOMETRIC VIEW
WIRING CABANA RAFTERS



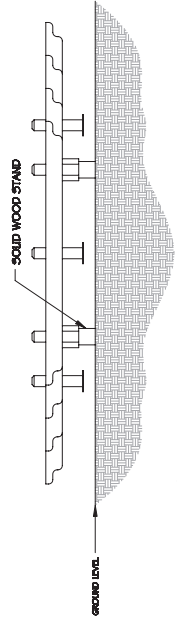
DETAIL-A
PRE-ASSEMBLED RAFTER TO POST
PRE-DRILL Ø5/8\"/>



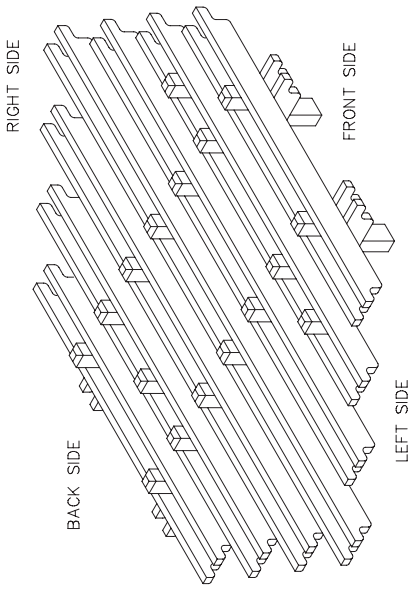
VIEW-A
RCA/ Audio/ Video/ Power 120/ ANT
MAKE CONNECTIONS AS SHOWN TO THE RCA/ AUDIO/ VIDEO/ POWER 120 WIRES/ ANT. (3 PLACES)



TOP VIEW
FINALE ASSEMBLY CABANA
 ATTACH THE REST OF THE BEAMS
 ACCORDING TO THIS TOP VIEW.

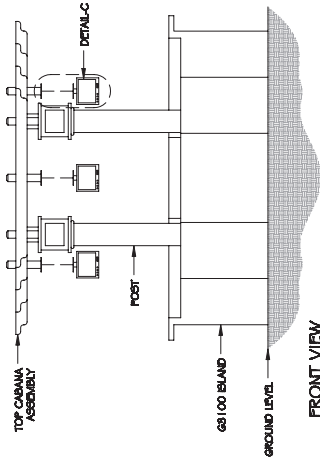


SIDE VIEW
FINALE ASSEMBLY CABANA

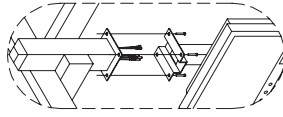


ISOMETRIC VIEW
FINALE ASSEMBLY CABANA

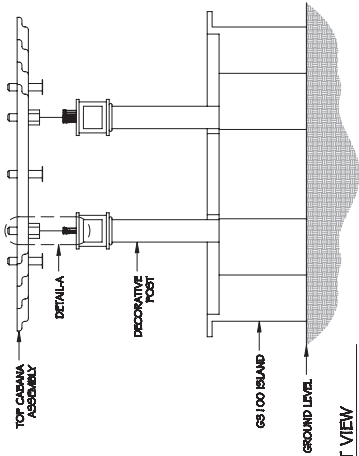
Step 3: Placing the canopy on the posts



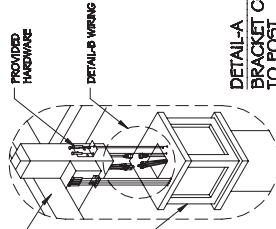
FRONT VIEW
T.V. INSTALLATION
SEE DETAIL-A FOR DETAILS
ON T.V. CONNECTION.



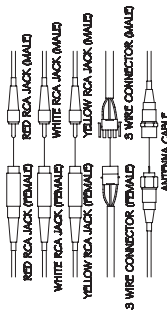
DETAIL-C
T.V. TO CABANA CONNECTION
ATTACH T.V. TO THE TOP CABANA ASSEMBLY
USING THE HARDWARE PROVIDED.
(3 PLACES)



FRONT VIEW
POST INSTALLATION
YOU WILL NEED HELP TO CARRY THE TOP CABANA ASSEMBLY
TO THE TOP OF THE ISLAND POST. AFTER THE TOP CABANA
ASSEMBLY HAS BEEN MOUNTED SEE DETAIL-A FOR
ATTACHMENT INSTRUCTIONS.



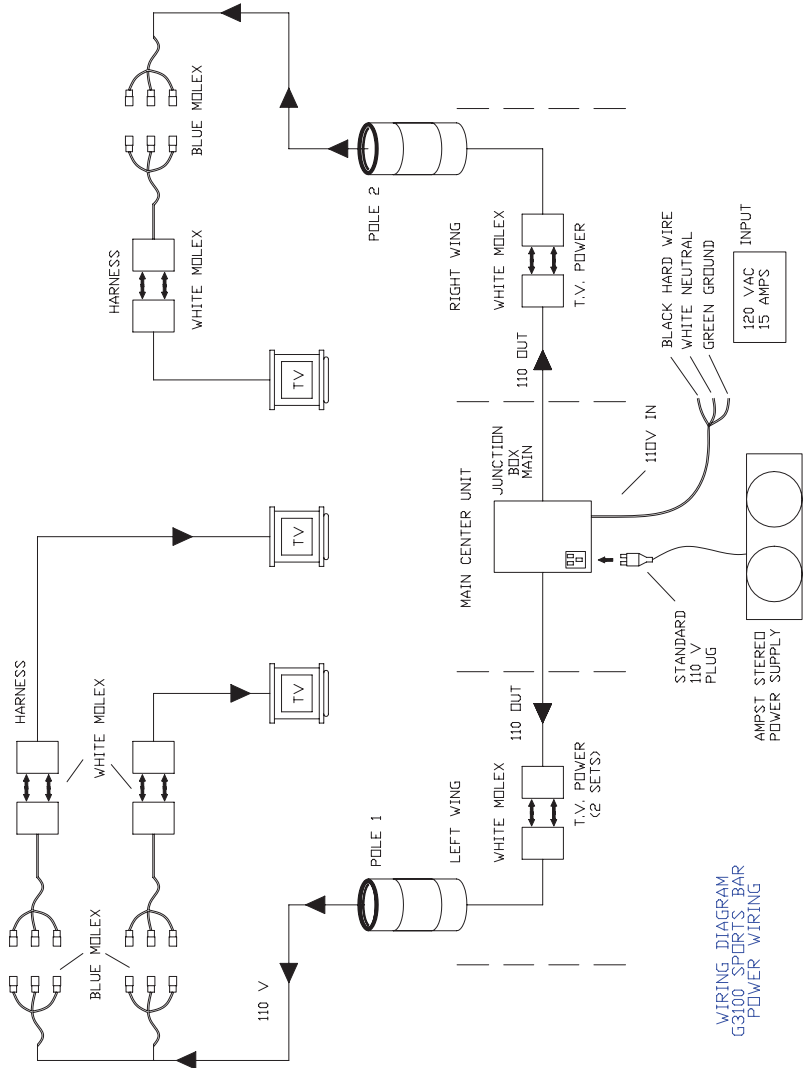
DETAIL-A
BRACKET CONNECTIONS
TO POST
ATTACH TOP CABANA ASSEMBLY TO
POST WITH PROVIDED HARDWARE
AS SHOWN.
(2 PLACES)



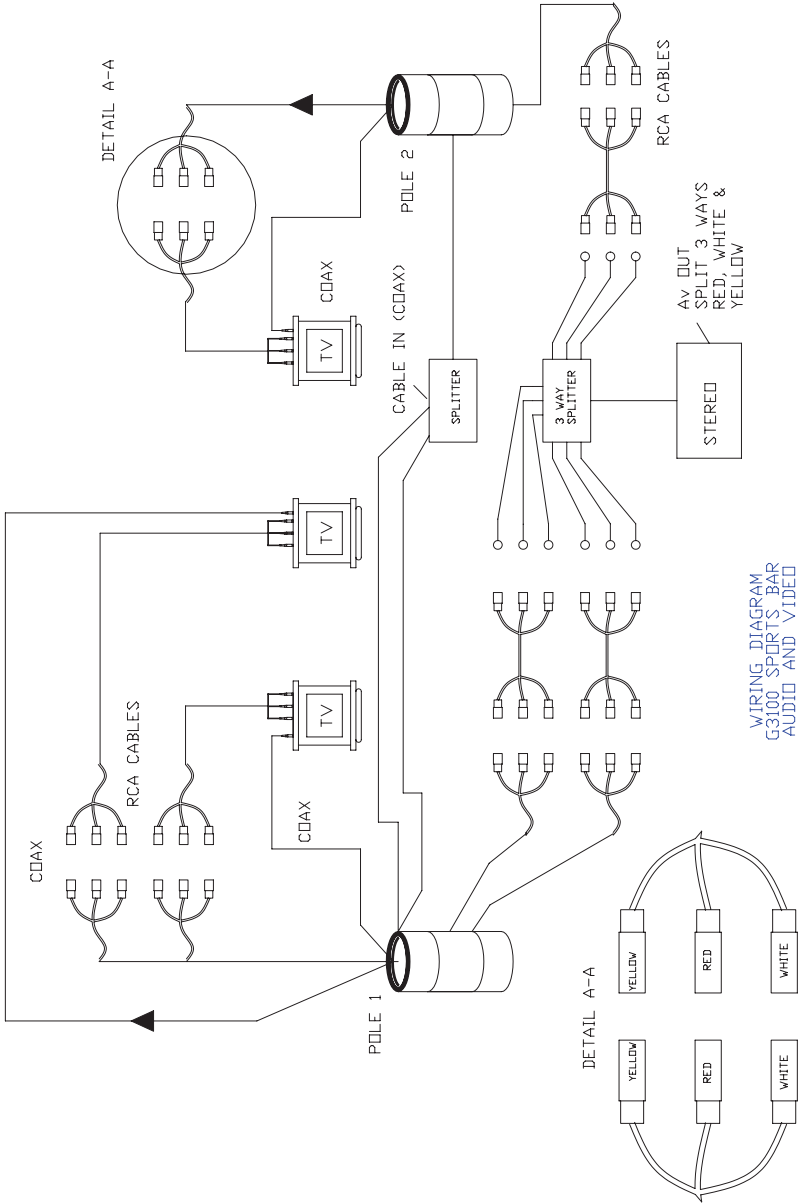
DETAIL-B
RCA/ Audio/ Video/ Power 120V ANT.
MAKE CONNECTIONS AS SHOWN TO THE
RCA/ AUDIO/ VIDEO POWER 120V WIRESS ANT.
(3 PLACES)

Wiring Diagrams

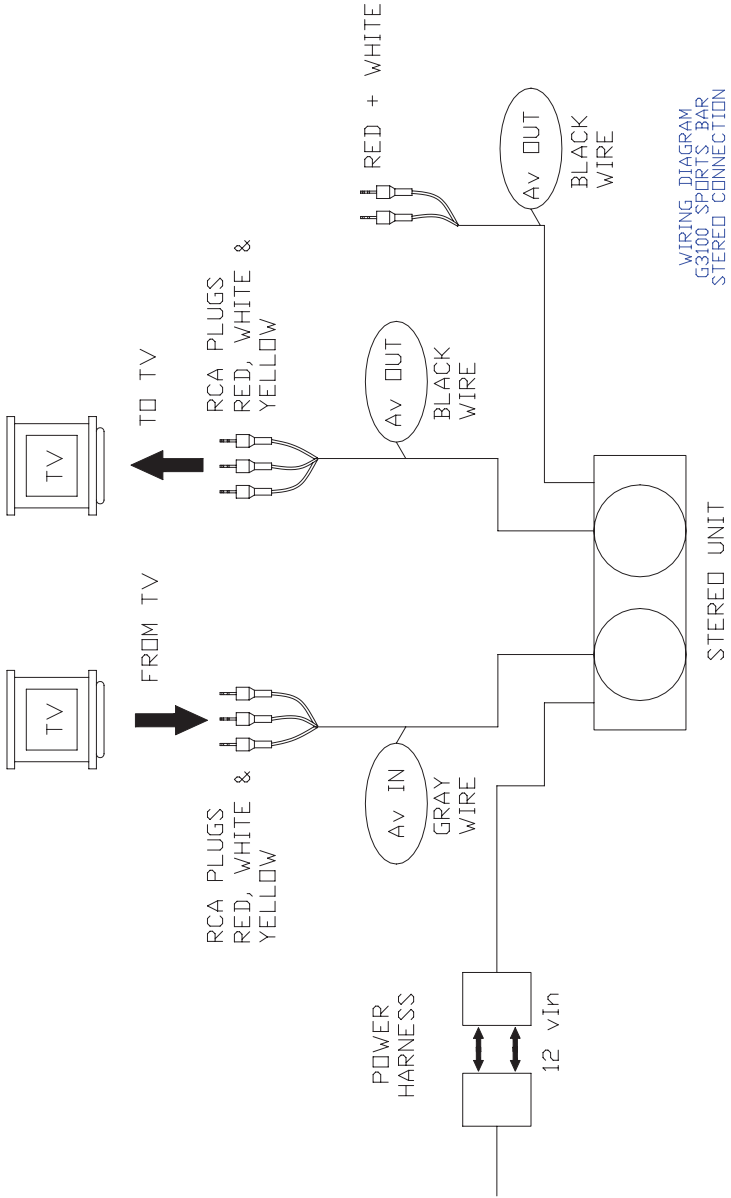
Power supply wiring diagram



Audiovisual system wiring diagram



DVD / stereo system wiring diagram



WIRING DIAGRAM
G3100 SPORTS BAR
STEREO CONNECTION

Cal Flame[®]

LMS Customer Service Department
1462 East Ninth Street
Pomona, CA 91766
Toll Free: 1-800-CAL-SPAS
Fax: 1-909-629-3890

www.calspas.com