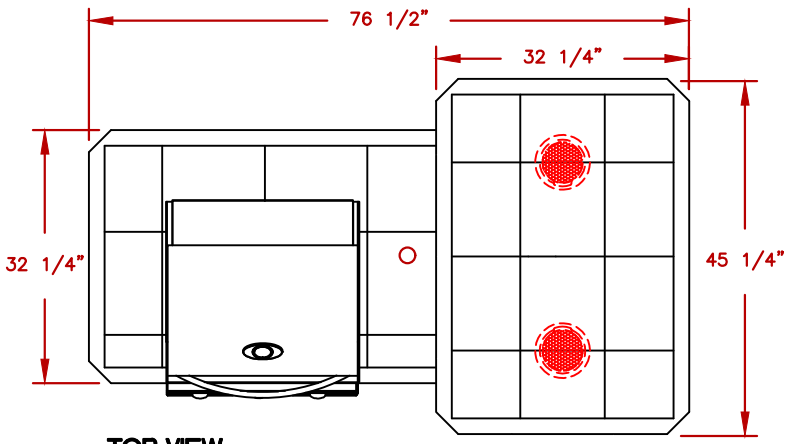
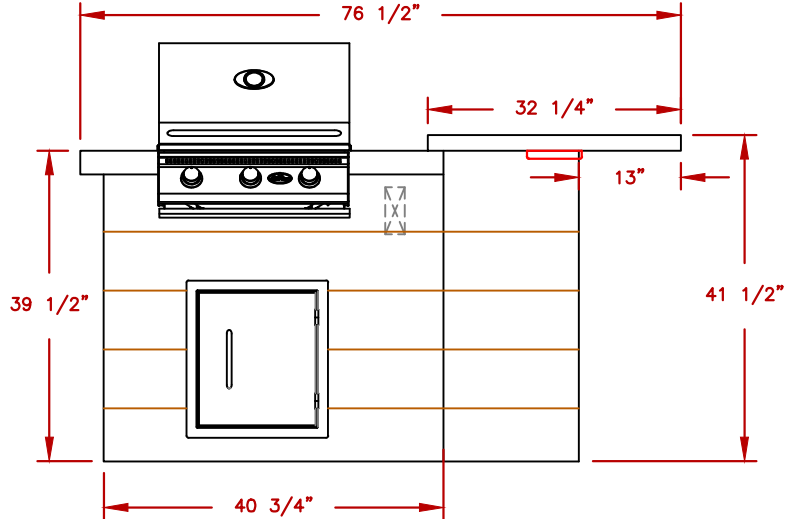


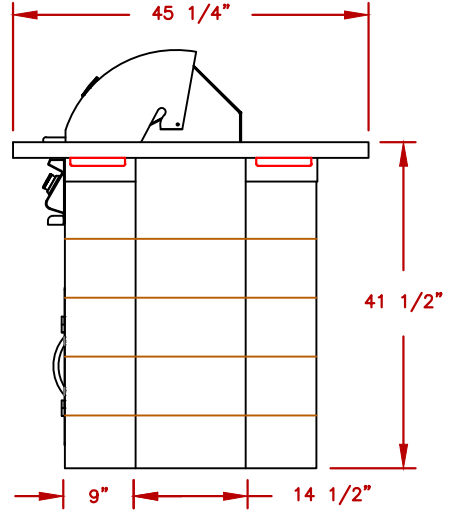
LINE	BBQ PATIO SERIES
MODEL	BBK402(L)(R)
REF.	KAUAI Q



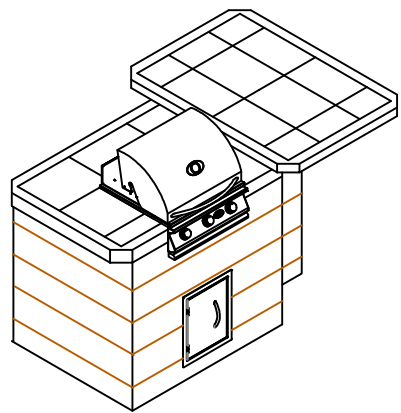
**TOP VIEW**



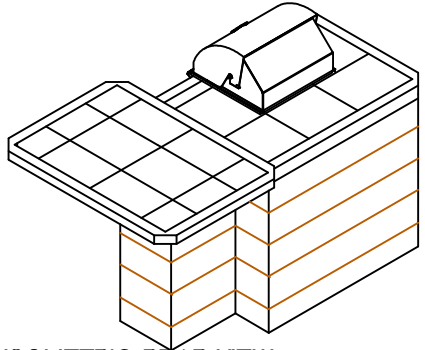
**FRONT VIEW**



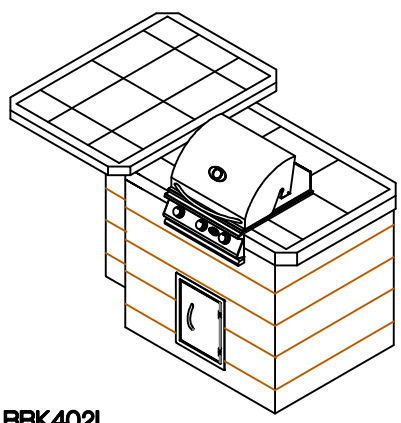
**SIDE VIEW**



**ISOMETRIC**




**ISOMETRIC REAR VIEW**



**BBK402L**

OPTIONS		
SYMB.	DESCRIPTION	OPT#
OPT1	UNDERCOUNTER LIGHTS	OPTQ820L
OPT2	FREEDOM SOUND SYSTEM BLUETOOTH, POWERED SUBWOOFER AND 2X SPEAKERS	OPTQ23-FS23
OPT3	UMBRELLA HOLE ONLY	OPTQ23-837

STANDARD FEATURES		
QTY.	SYMB.	DESCRIPTION
-	(A)	PORCELAIN TILE 12 X 24 (FIELD) (BORDER)
-	(B)	ELITE CABINET SIDING
1	(C)	3 BURNER G3 LP
1	(E)	18" VERTICAL ACCESS DOOR

	<b>TITLE</b> 2024 BARBECUE LINE BBK PATIO SERIES BBK402(L)(R) KAUAI Q	
	<b>SCALE:</b> REVISED	<b>DWG NO.</b> REV. DESCR.

NOTE:  
DUE TO OUR CONTINUOUS IMPROVEMENT PROGRAM, ALL MODELS  
AND SPECIFICATIONS ARE SUBJECT TO CHANGE WITHOUT NOTICE.