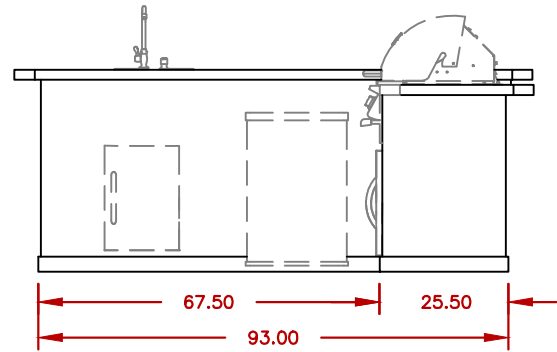
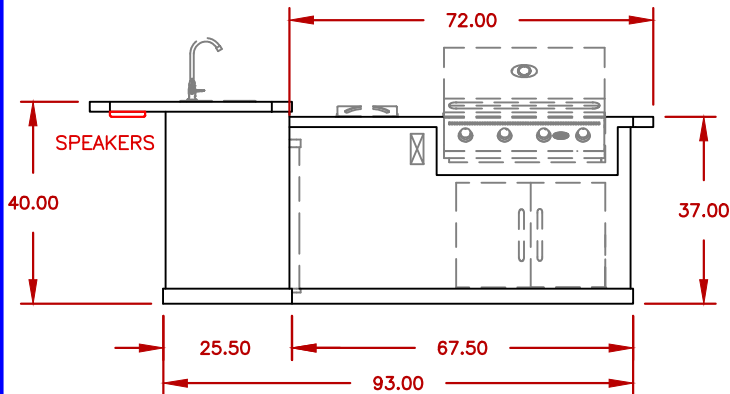
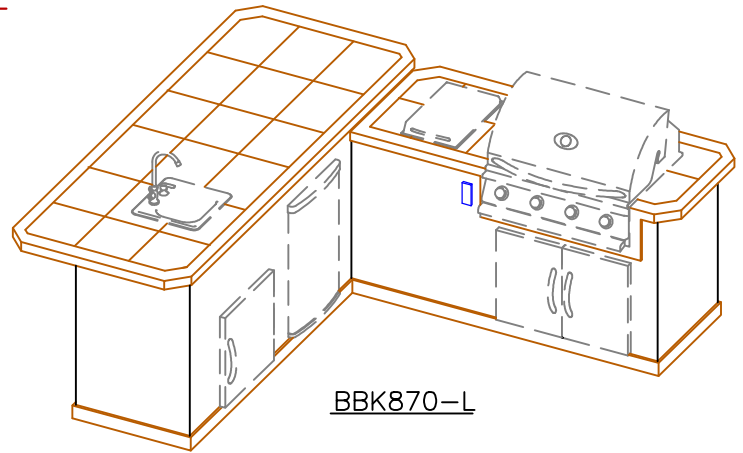
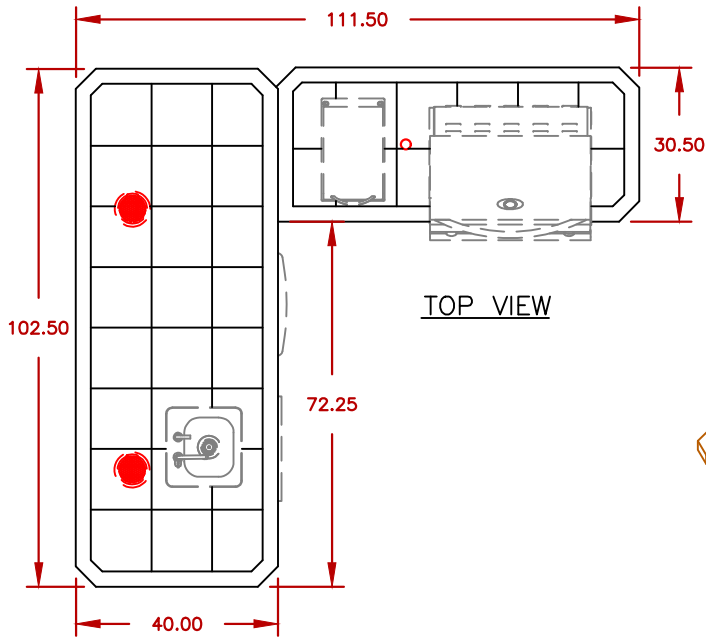
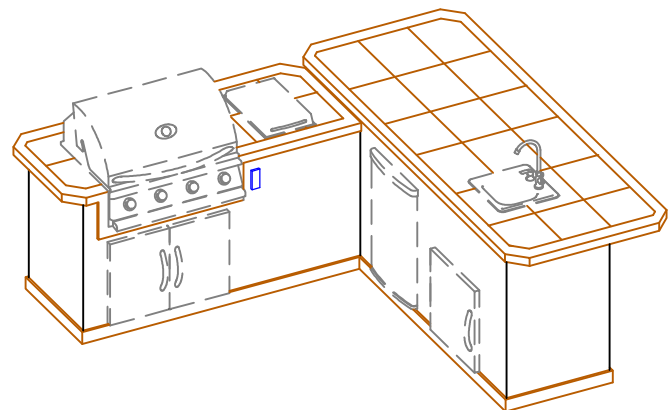



LINE	BBQ PLATINUM LINE
MODEL	BBK870(L)(R)
REF.	CARMEL Q



OPTIONS		
SYMB.	DESCRIPTION	OPT#
OPT1	UNDERCOUNTER LIGHTS	OPTQ820L
OPT2	FREEDOM SOUND SYSTEM BLUETOOTH, POWERED SUBWOOFER AND 2X SPEAKERS	OPTQ23-FS23
OPT3	UMBRELLA HOLE ONLY	OPTQ23-837

STANDARD FEATURES		
QTY.	SYMB.	DESCRIPTION
-	(A)	PORCELAIN TILE 12 X 24 (FIELD) (BORDER)
-	(B)	AMERISTONE STUCCO
-	(C)	3" BOTTOM TRIM (TILE ONLY)
1	(D)	4 BURNER P4 LP
1	(E)	STD. SIDE BURNER BURNER LP
1	(F)	INTERIOR ELECTRICAL
1	(G)	30" DOUBLE ACCESS DOOR
1	(H)	18" SINGLE ACCESS DOOR
1	(I)	SST STEEL SINK W/ FAUCET & SOAP DISPENSER
1	(J)	SST REFRIGERATOR



	TITLE	
	2024 BARBECUE LINE BBK PLATINUM SERIES BBK870(L)(R) CARMEL Q	
SCALE:	DWG NO.	DWG BY
		M ORTEGA
REVISED	REV. DESCR.	DATE
		12/20/2023

NOTE:
DUE TO OUR CONTINUOUS IMPROVEMENT PROGRAM, ALL MODELS
AND SPECIFICATIONS ARE SUBJECT TO CHANGE WITHOUT NOTICE.